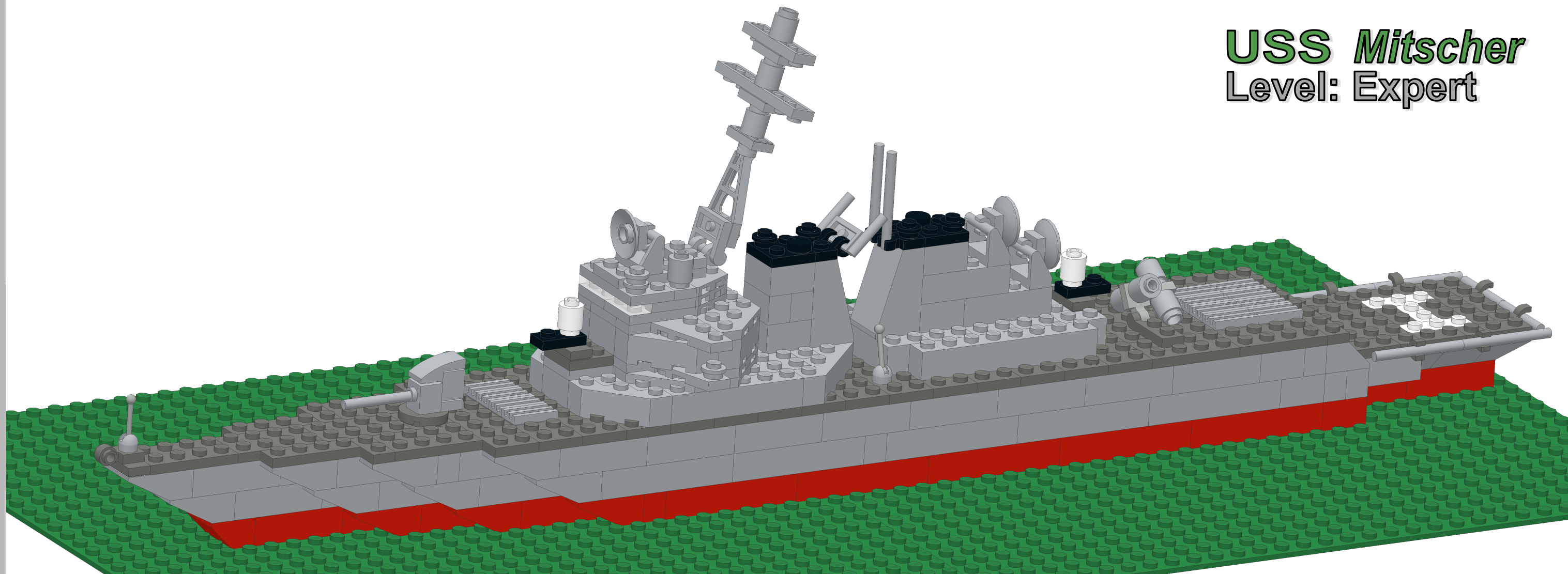


# BRICK BY BRICK: LEGO SHIPBUILDING



**USS Mitscher**  
Level: Expert

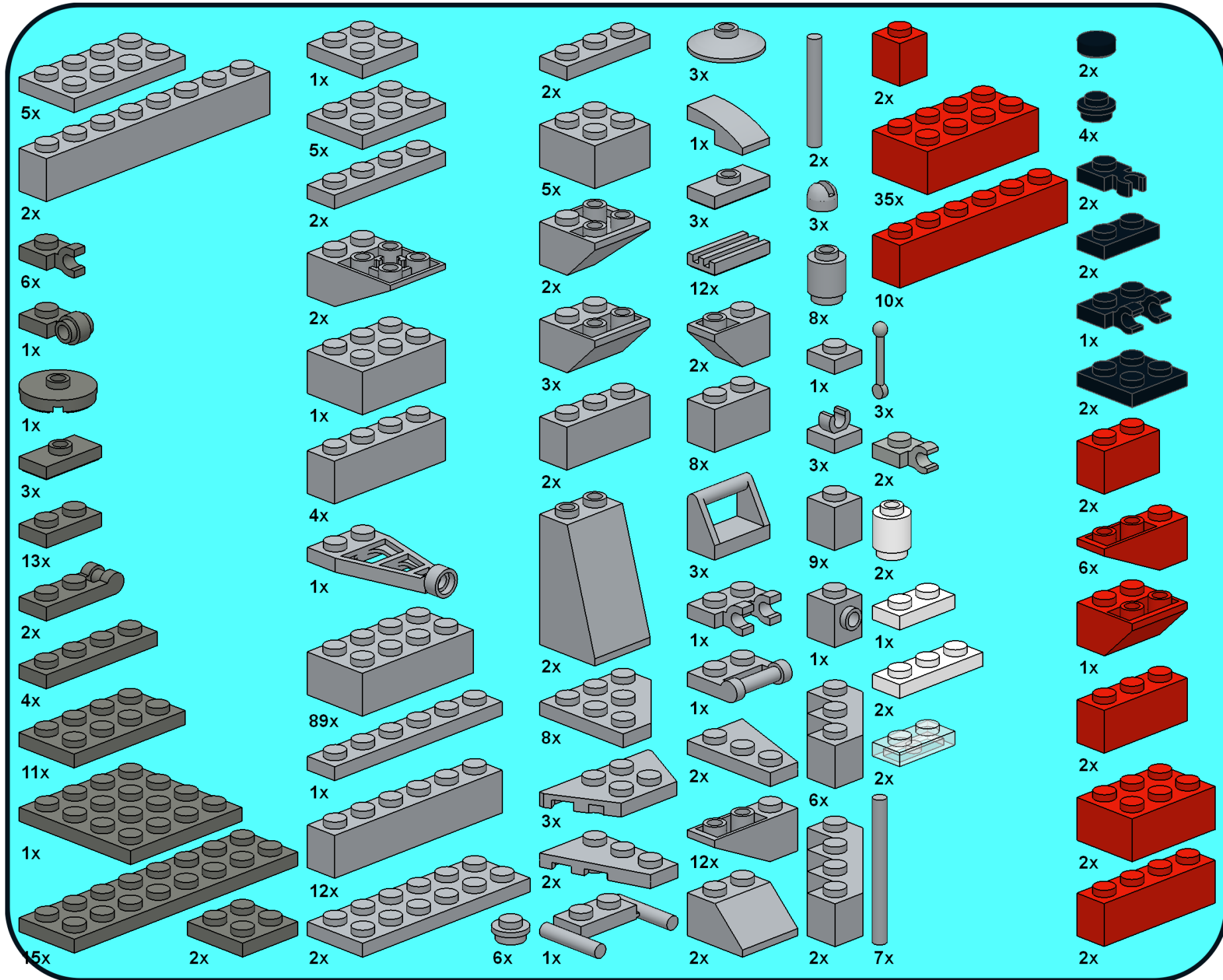


Ship models included in this program are built with LEGO® bricks. LEGO® is a trademark of the LEGO® group of companies which does not sponsor, authorize, or endorse this program.

[www.hrrnm.navy.mil](http://www.hrrnm.navy.mil)

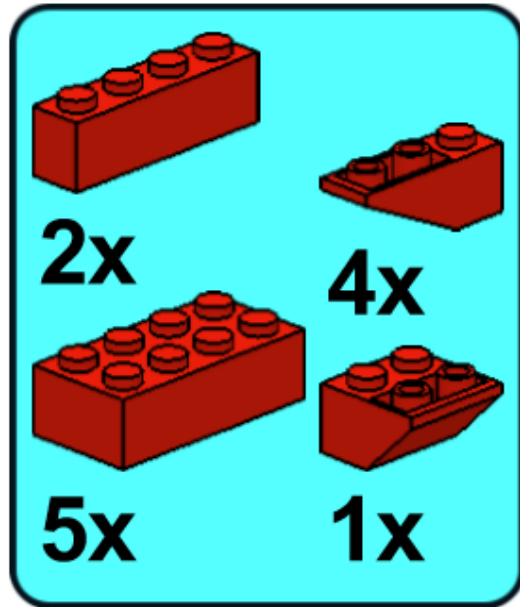


# Parts and Pieces



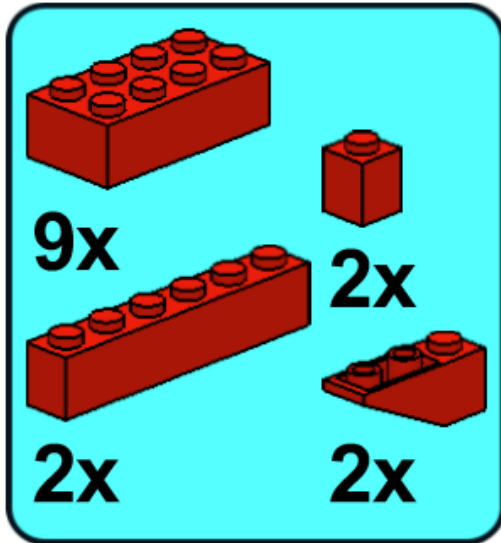
# STEP 1

USS MITSCHER



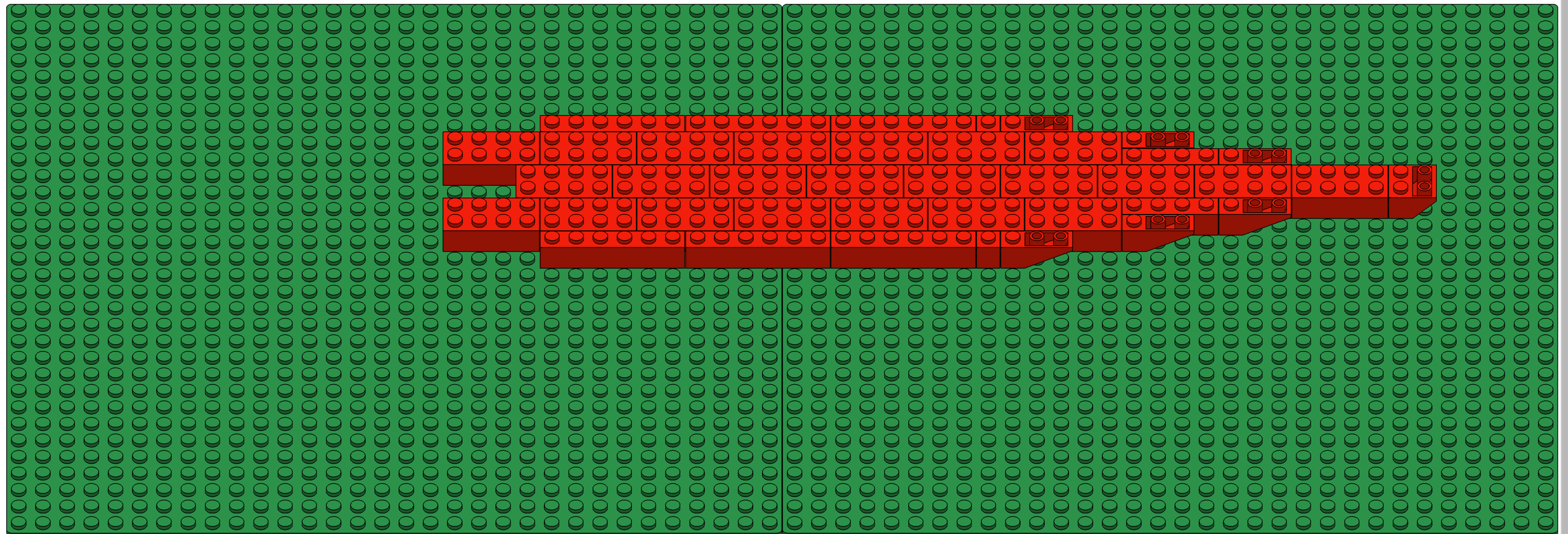
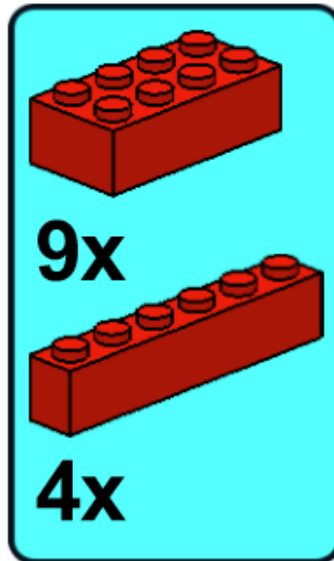
# STEP 2

# USS MITSCHER



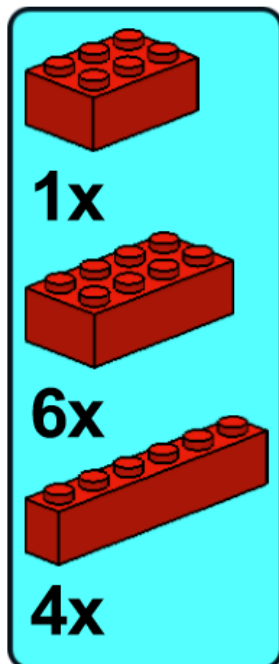
# STEP 3

# USS MITSCHER



# STEP 4

# USS MITSCHER



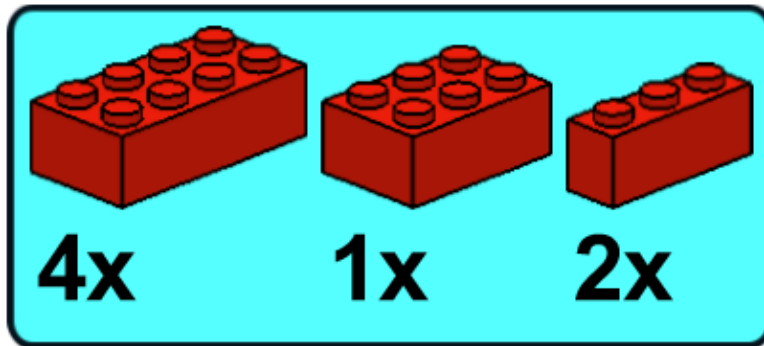
1x  
6x  
4x

This block contains a list of parts for Step 4. It features three red LEGO Technic parts: a 1x4 brick with 4 holes, a 1x6 brick with 6 holes, and a 1x10 Technic beam with 6 holes. Each part is accompanied by its quantity: 1x, 6x, and 4x respectively.



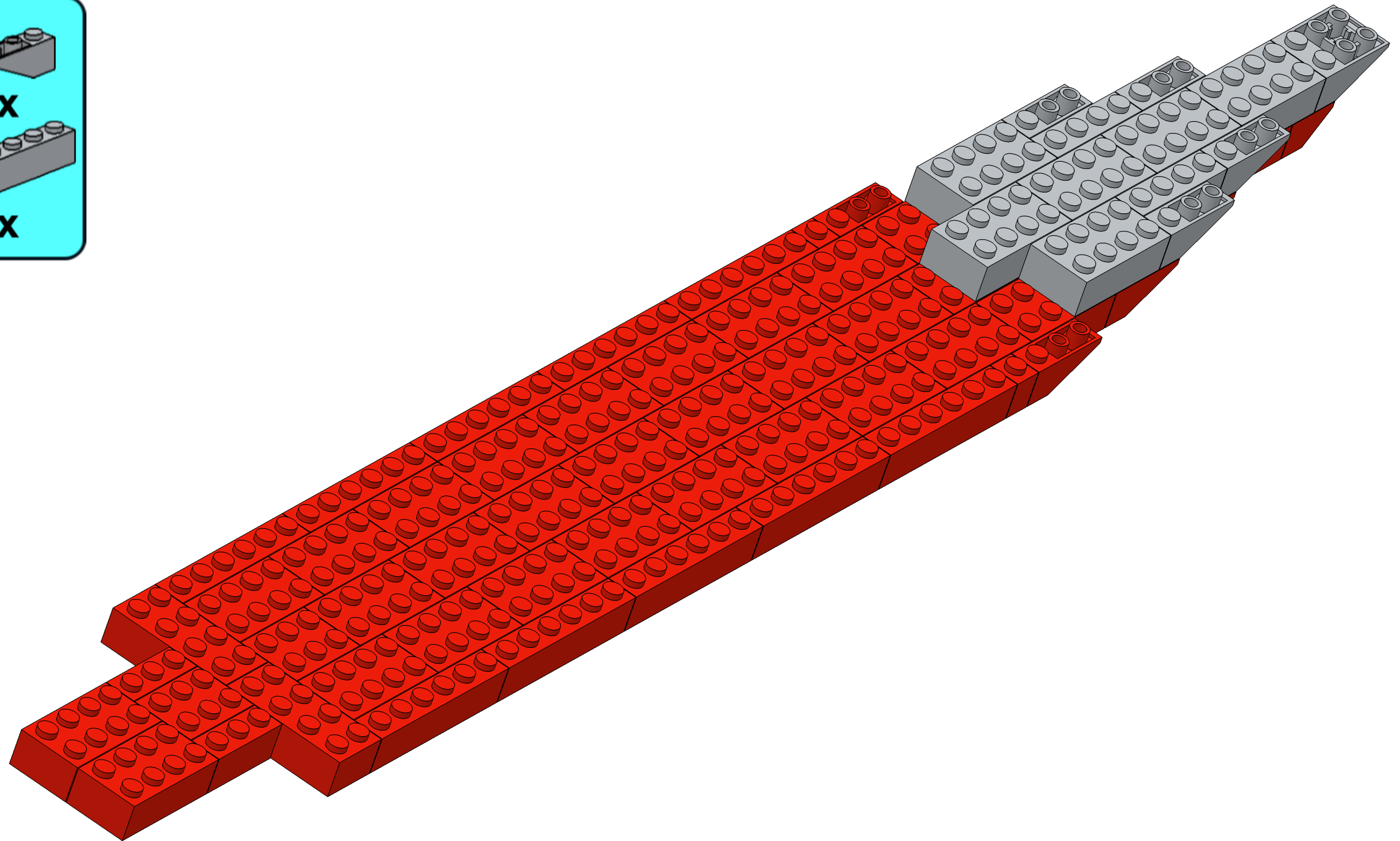
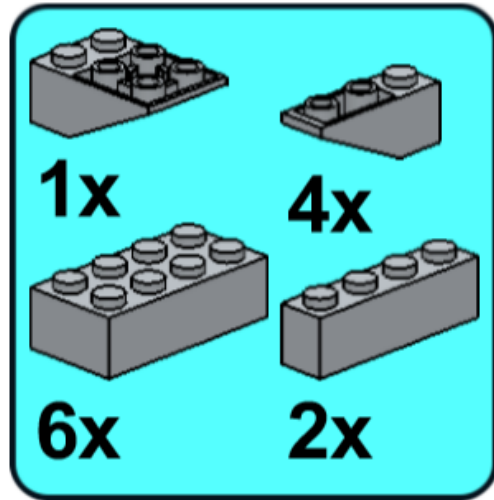
# STEP 5

*USS Mitscher*



# STEP 6

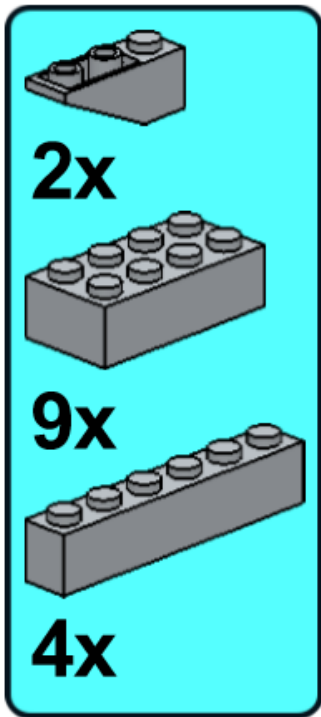
# USS MITSCHER





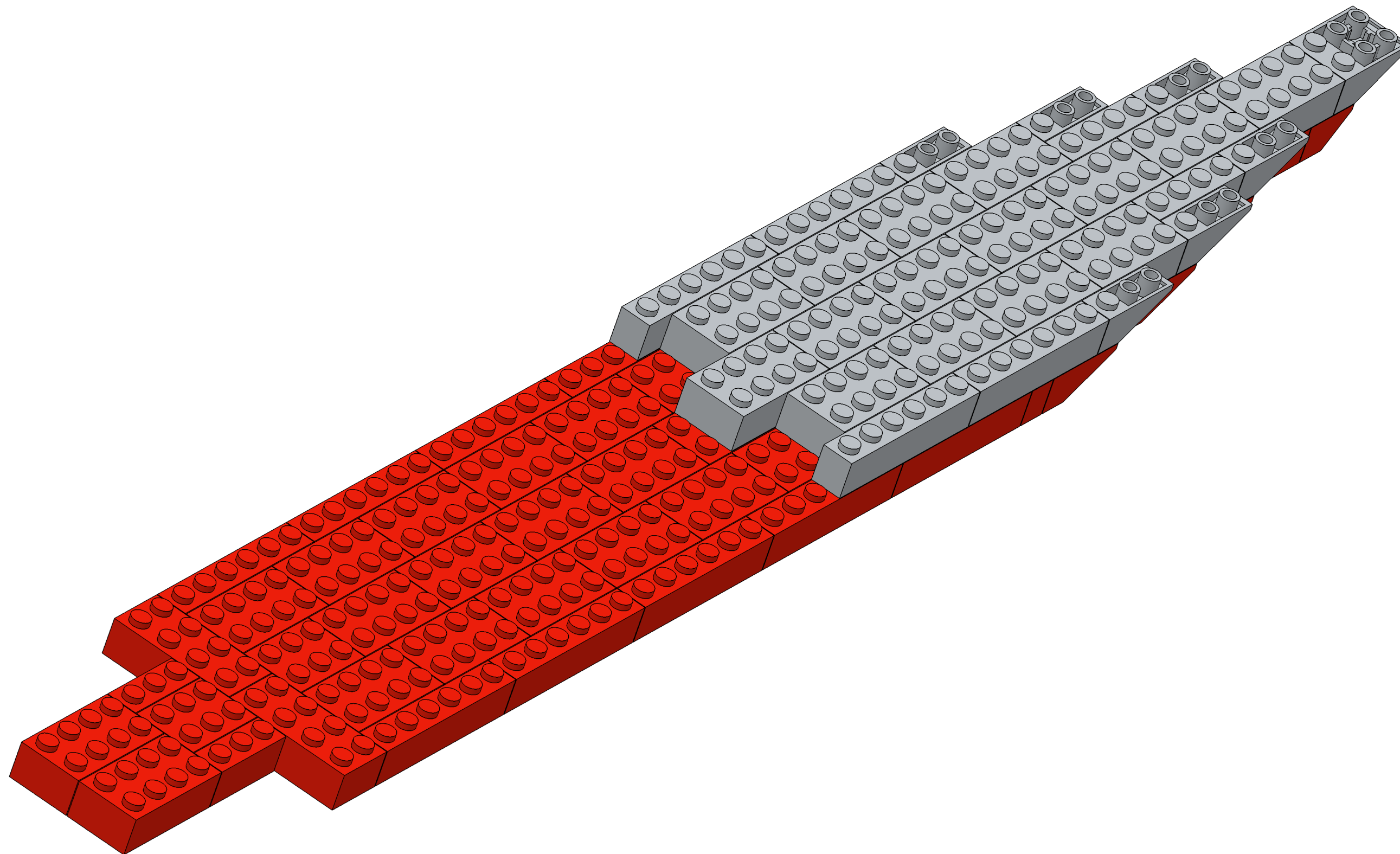
# STEP 7

# USS MITSCHER



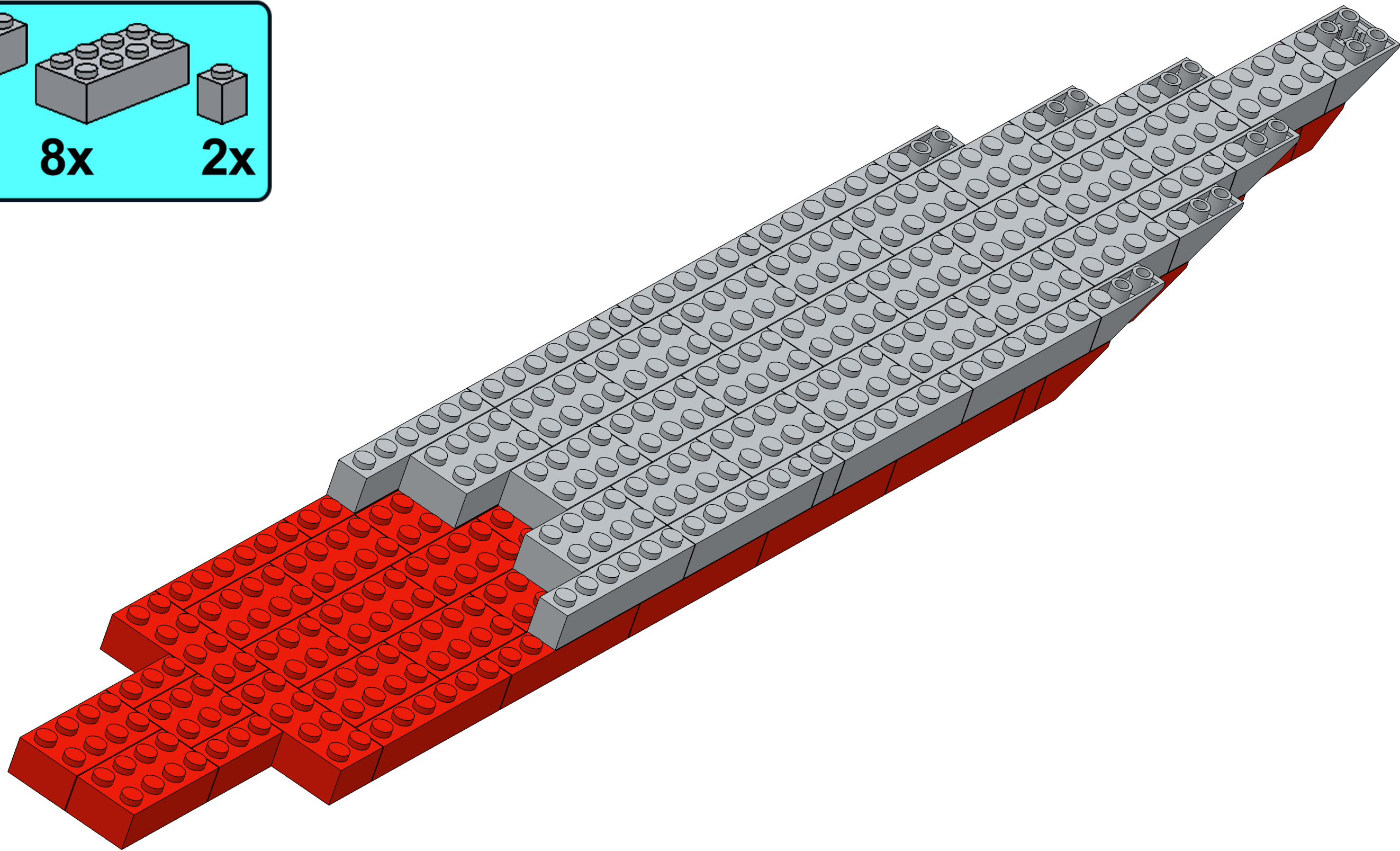
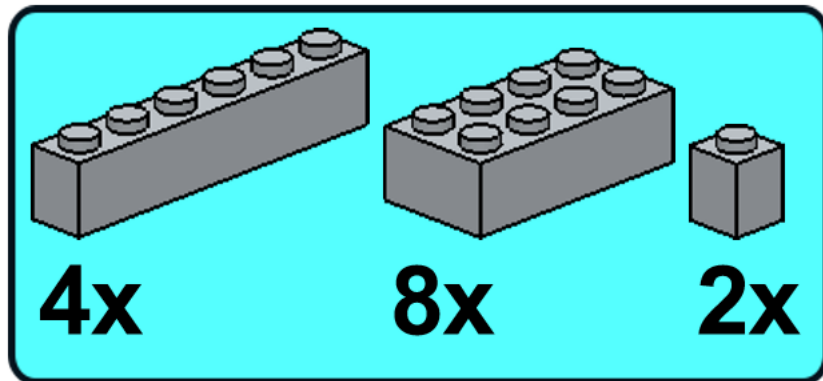
2x  
9x  
4x

This block contains a list of parts for step 7. It features three items: a 2x2 grey Technic brick with a hole, a 1x6 grey Technic brick, and a 1x9 grey Technic brick. The quantities are listed to the left of each item: 2x for the 2x2 brick, 9x for the 1x6 brick, and 4x for the 1x9 brick.



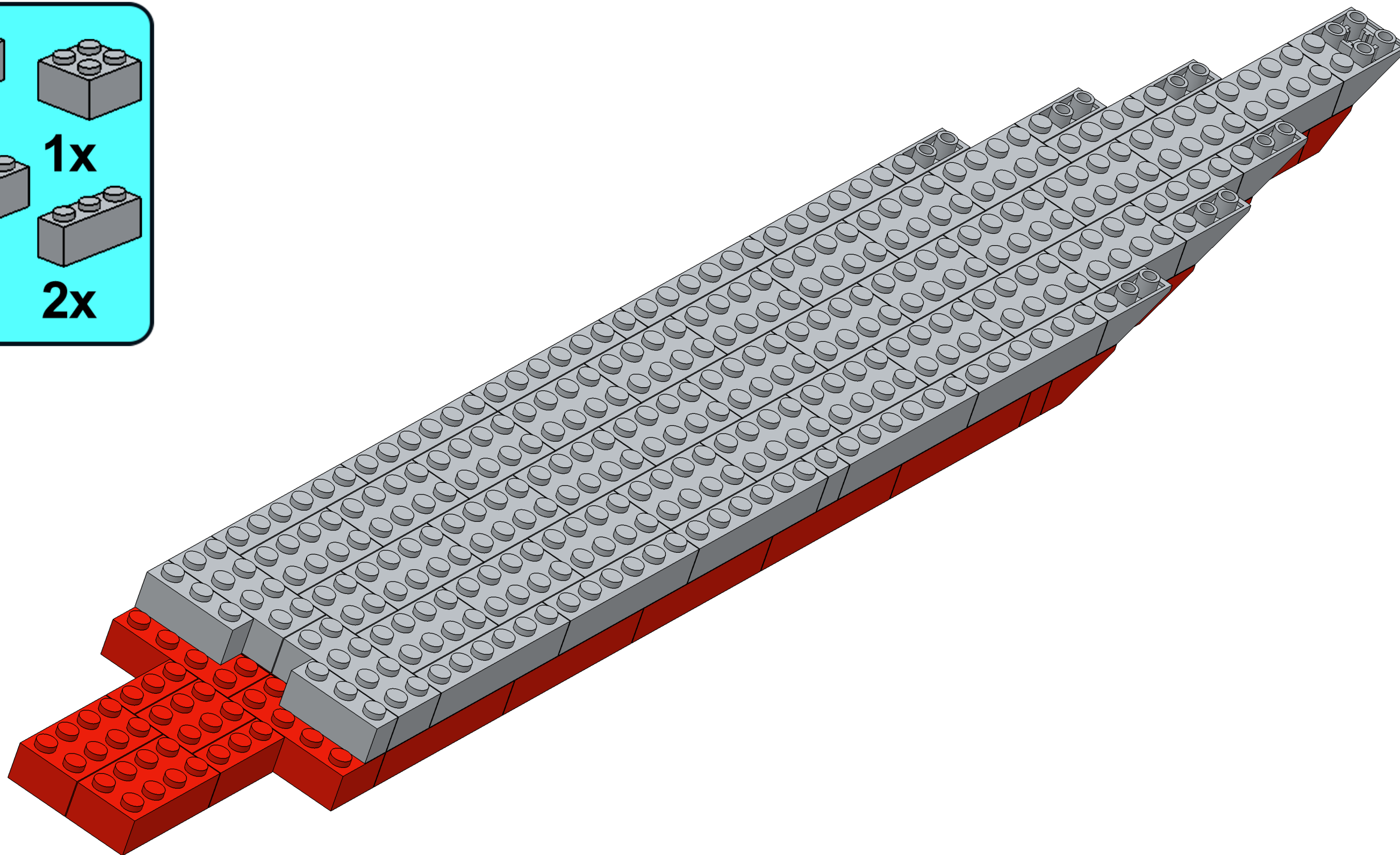
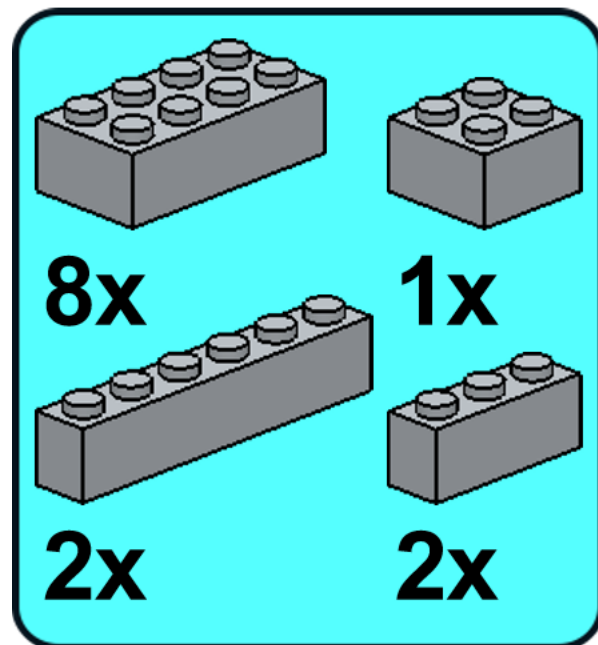
# STEP 8

# USS MITSCHER



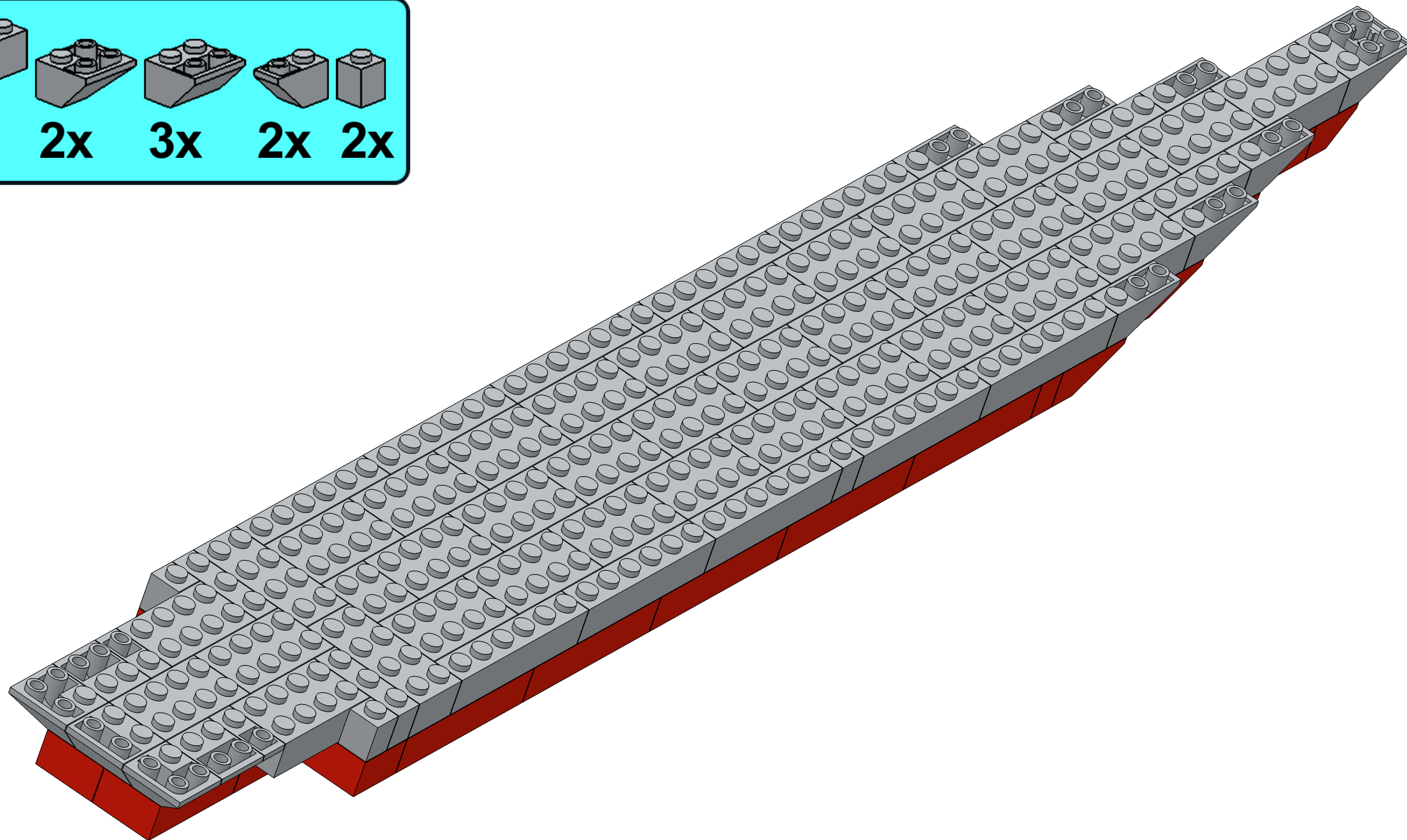
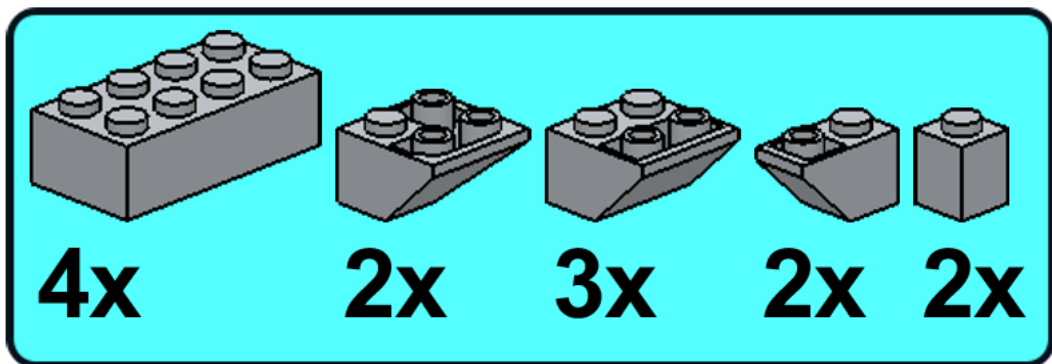
# STEP 9

# USS MITSCHER



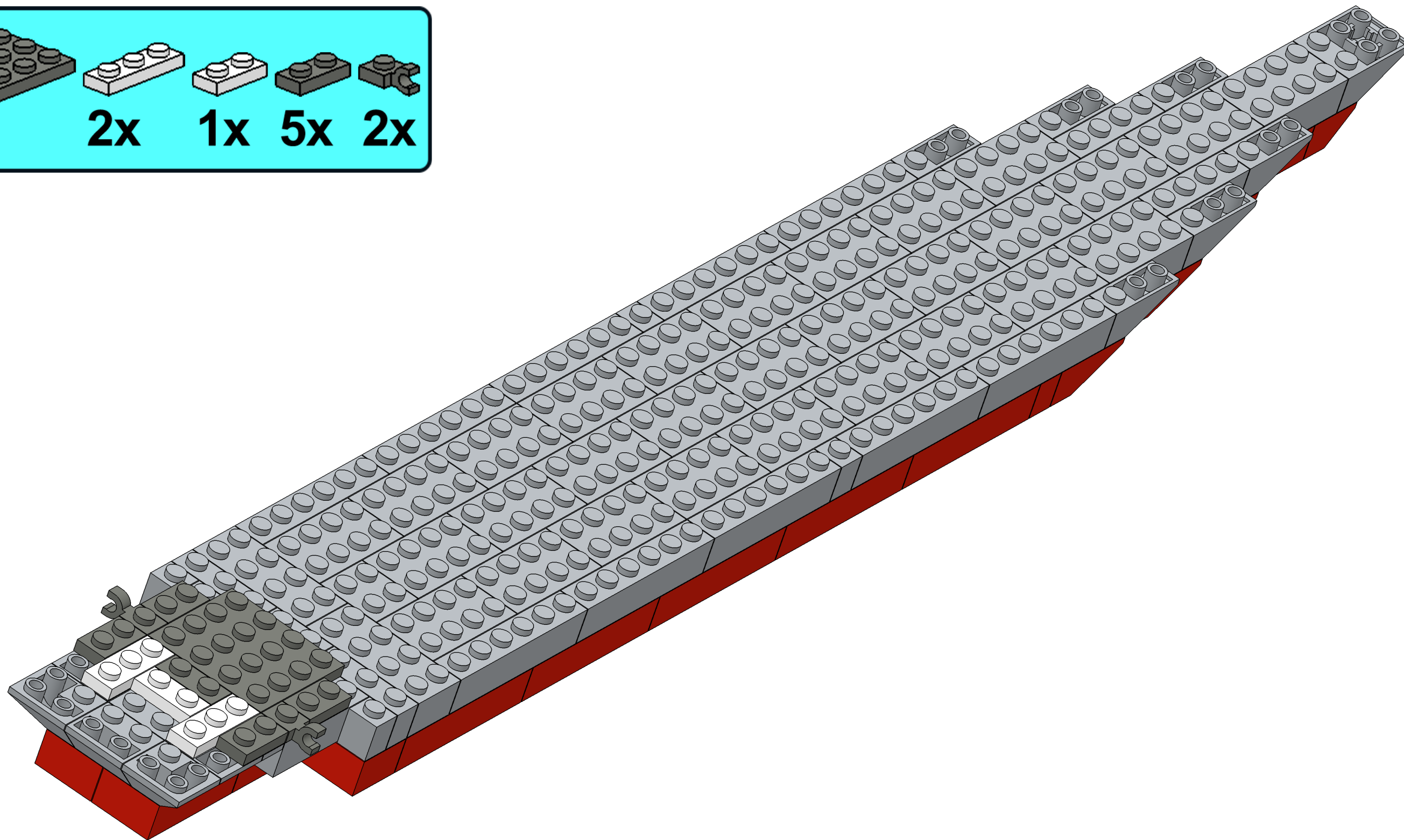
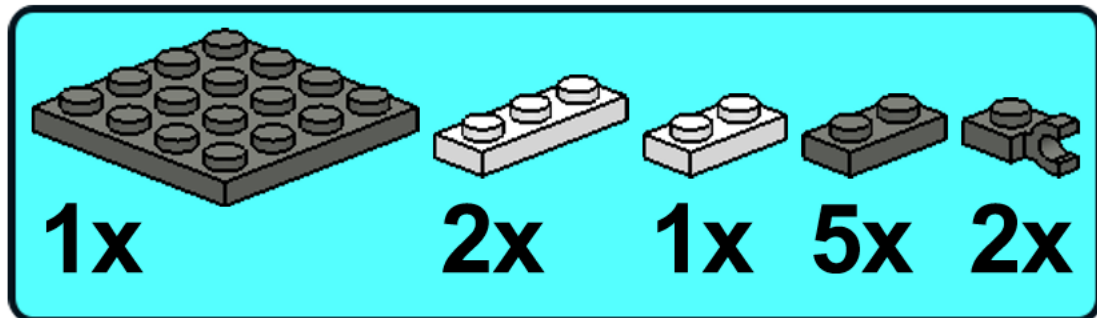
# STEP 10

# USS MITSCHER



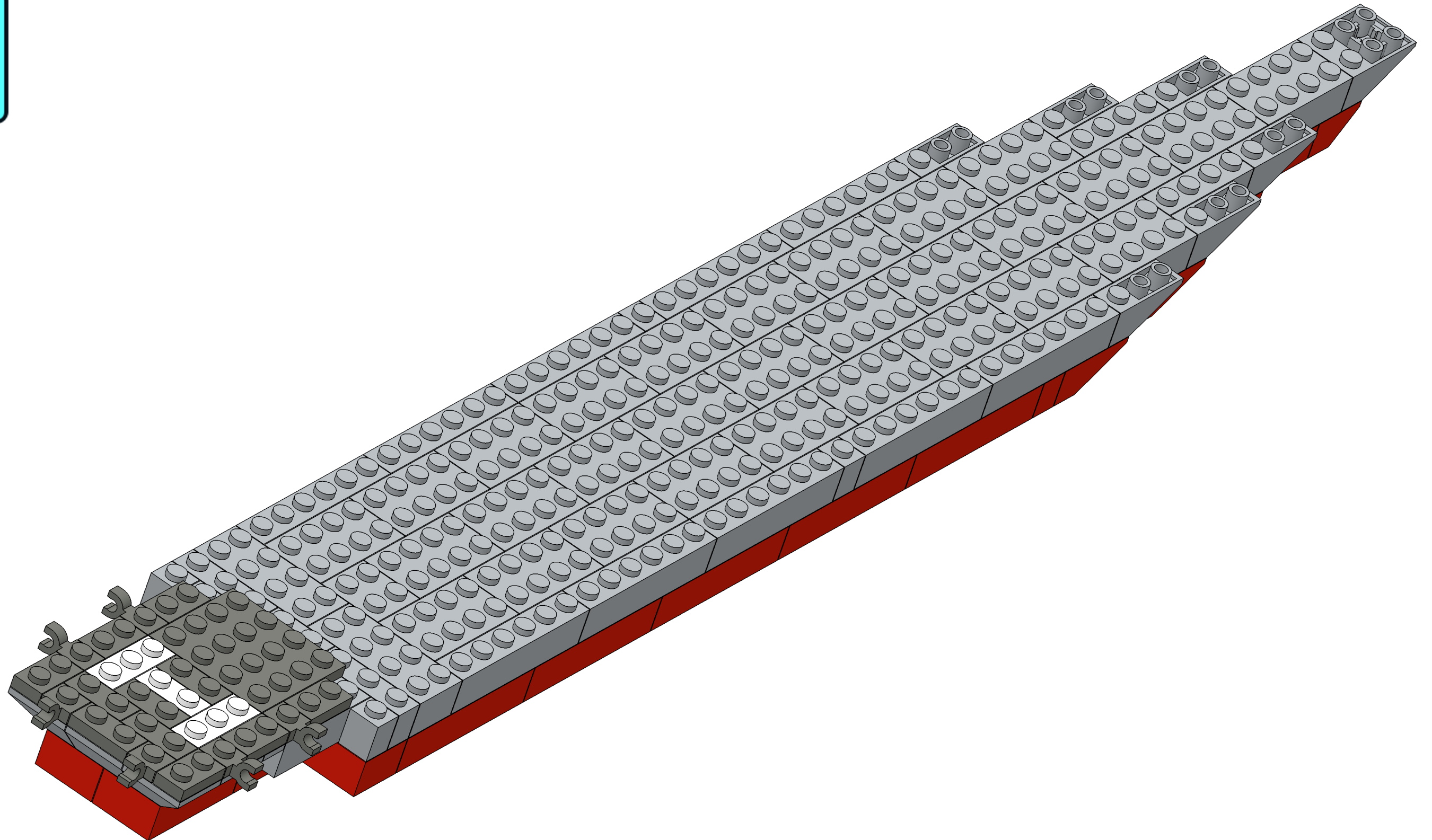
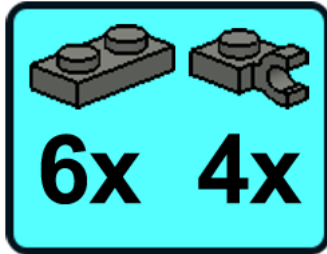
# STEP 11

# USS MITSCHER



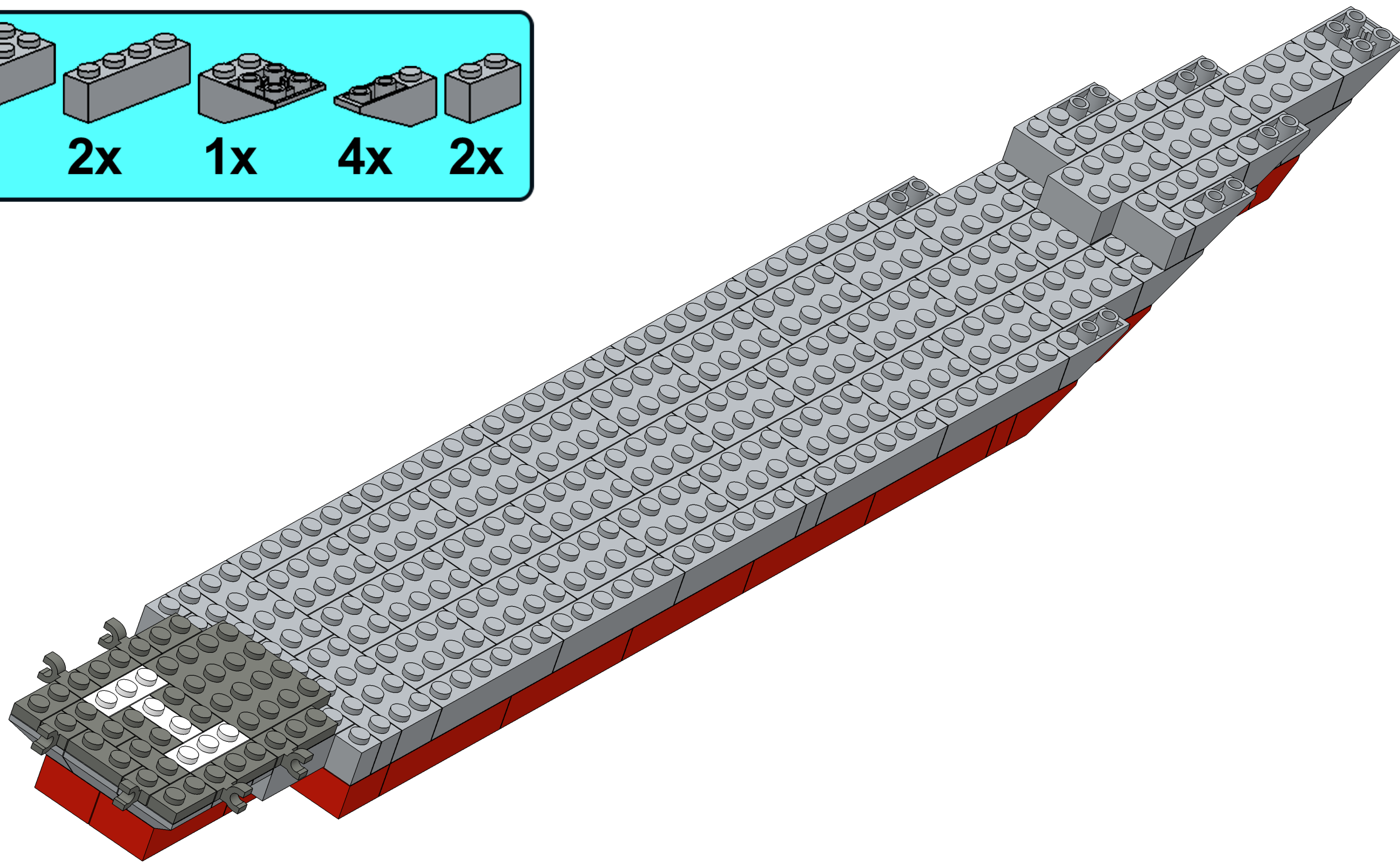
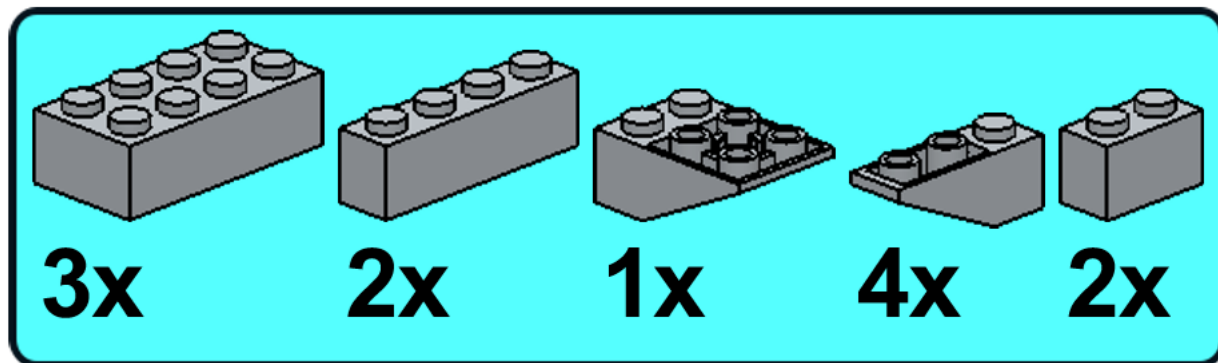
# STEP 12

# USS MITSCHER



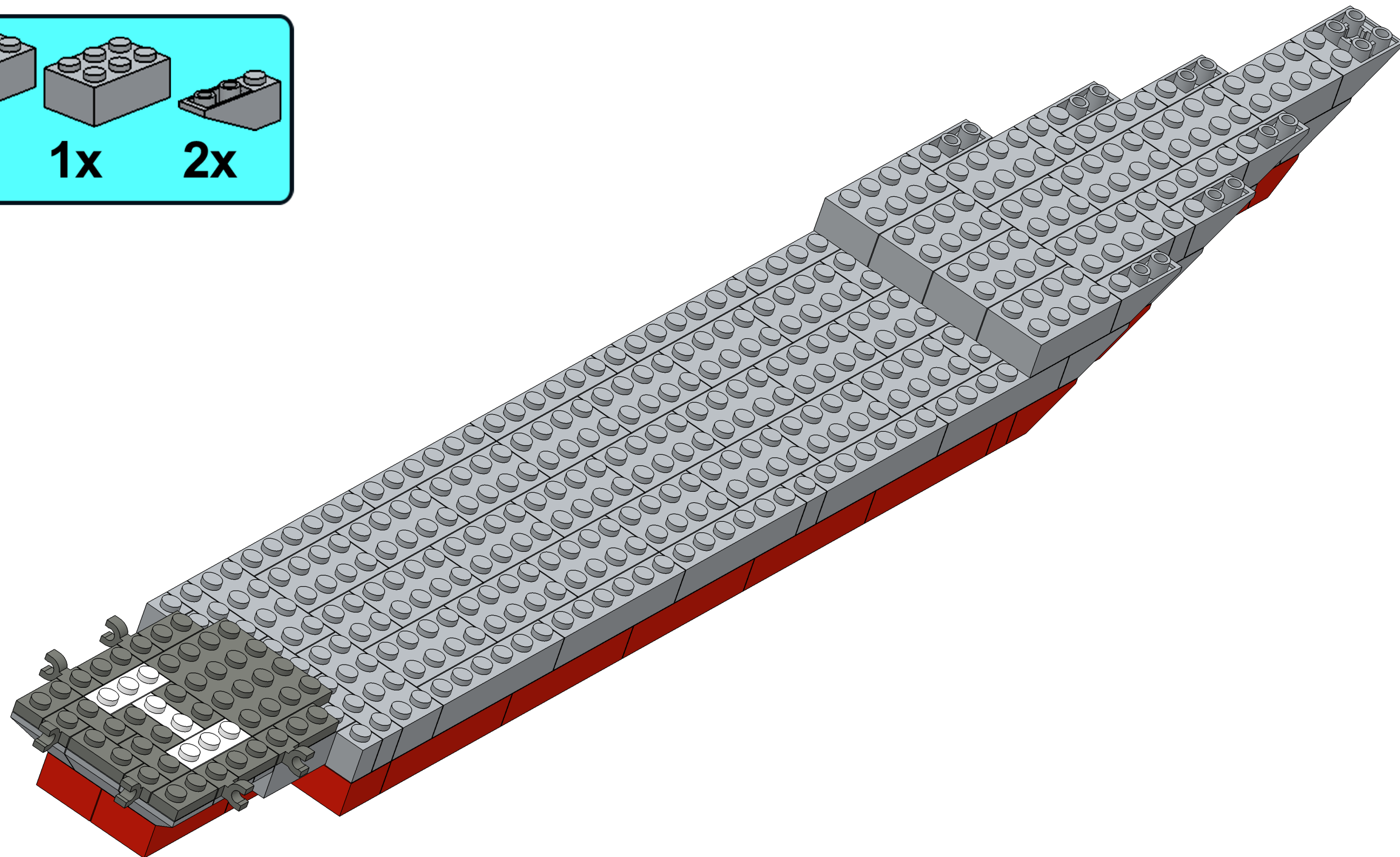
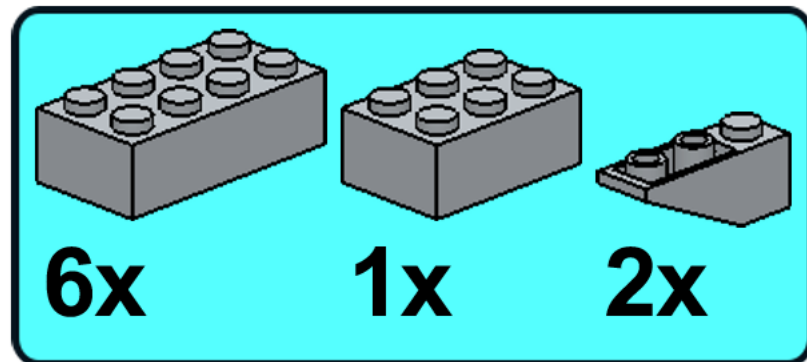
# STEP 13

# USS MITSCHER



# STEP 14

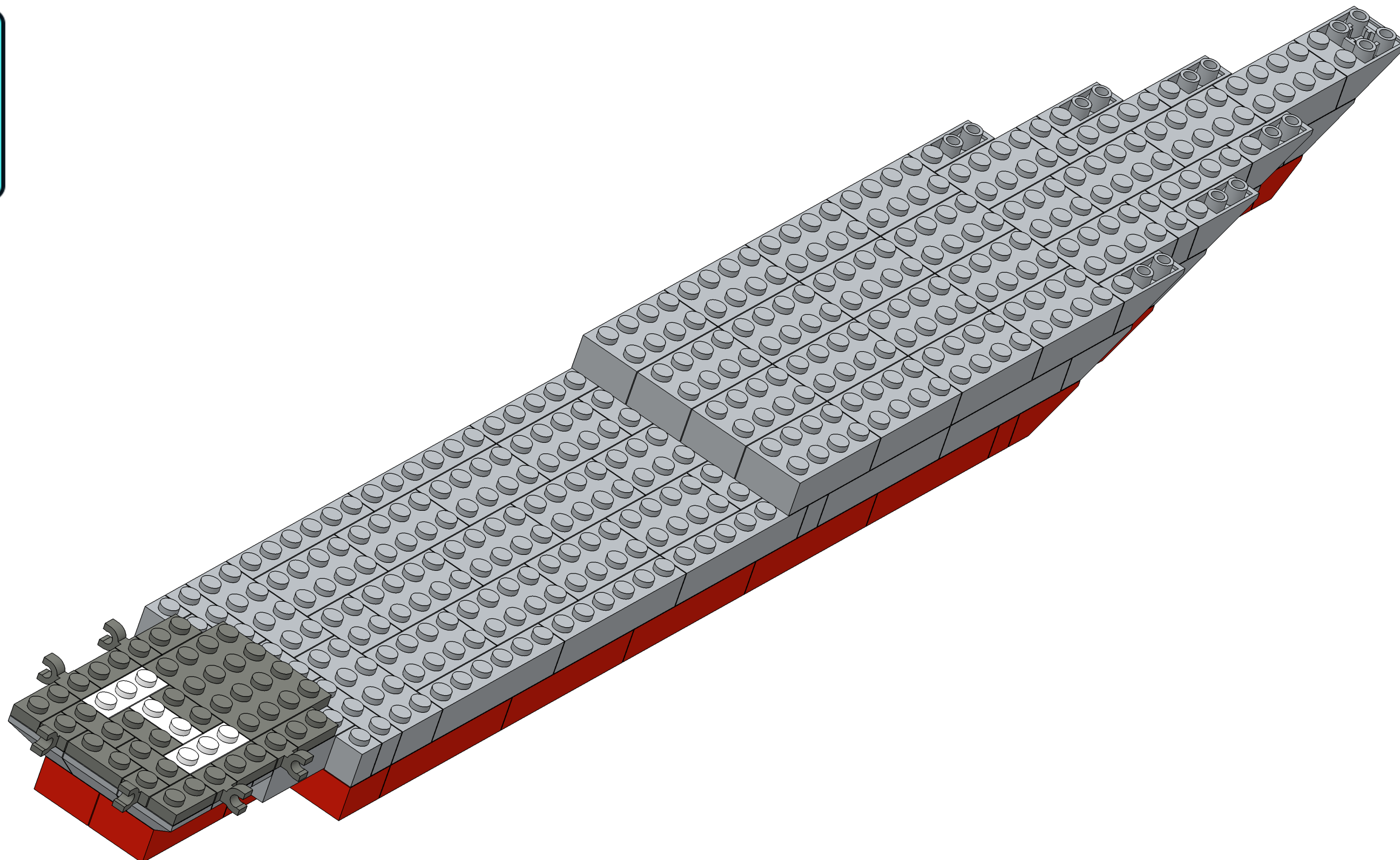
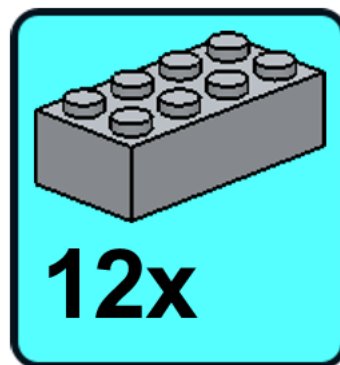
# USS MITSCHER





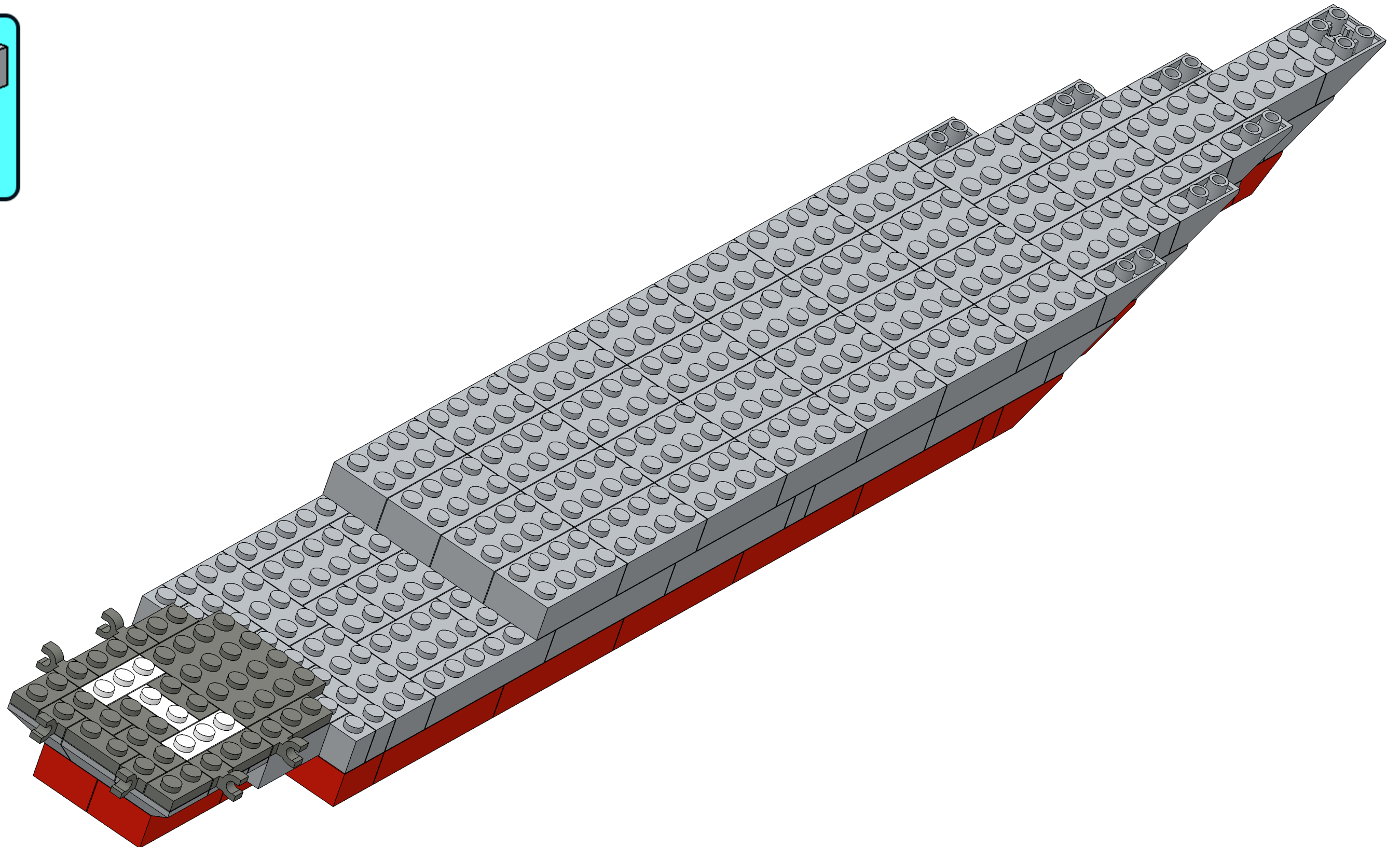
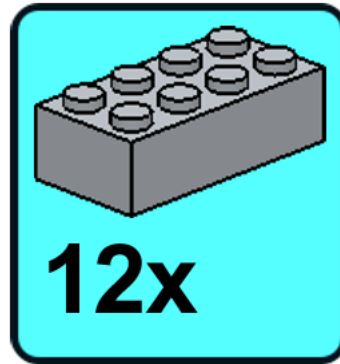
STEP 15

USS MITSCHER



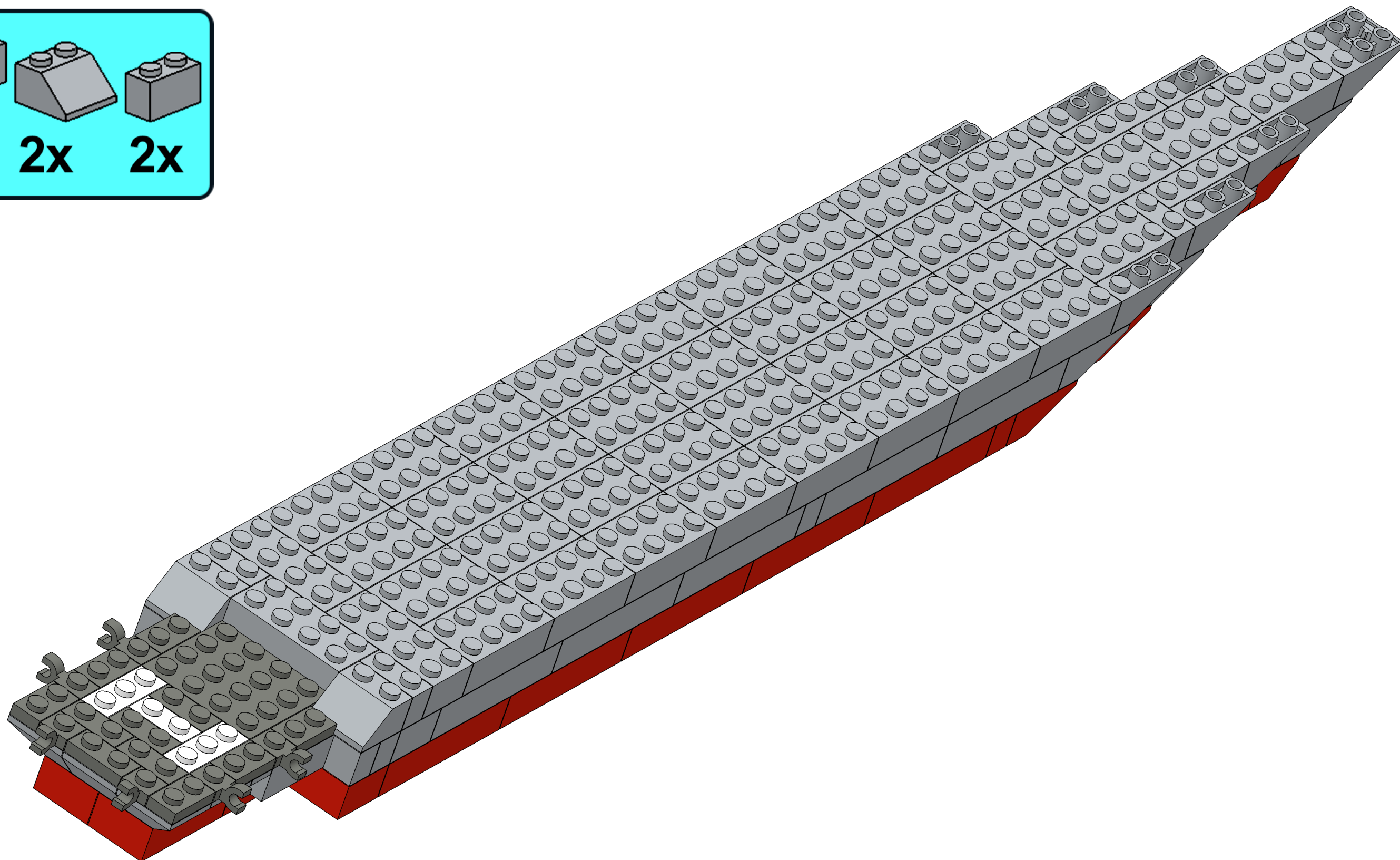
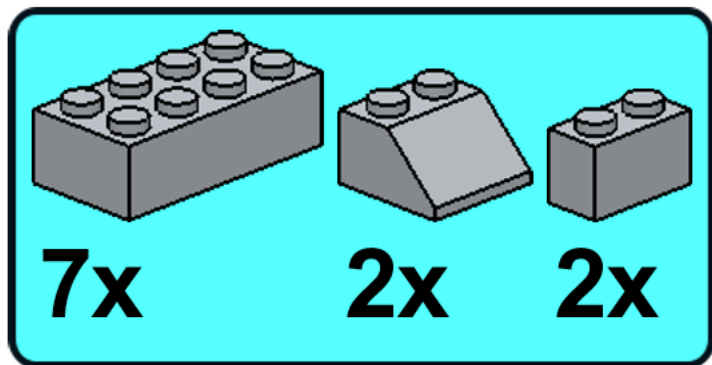
STEP 16

USS MITSCHER



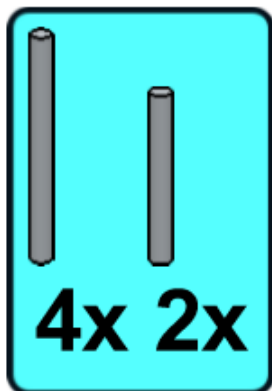
# STEP 17

# USS MITSCHER

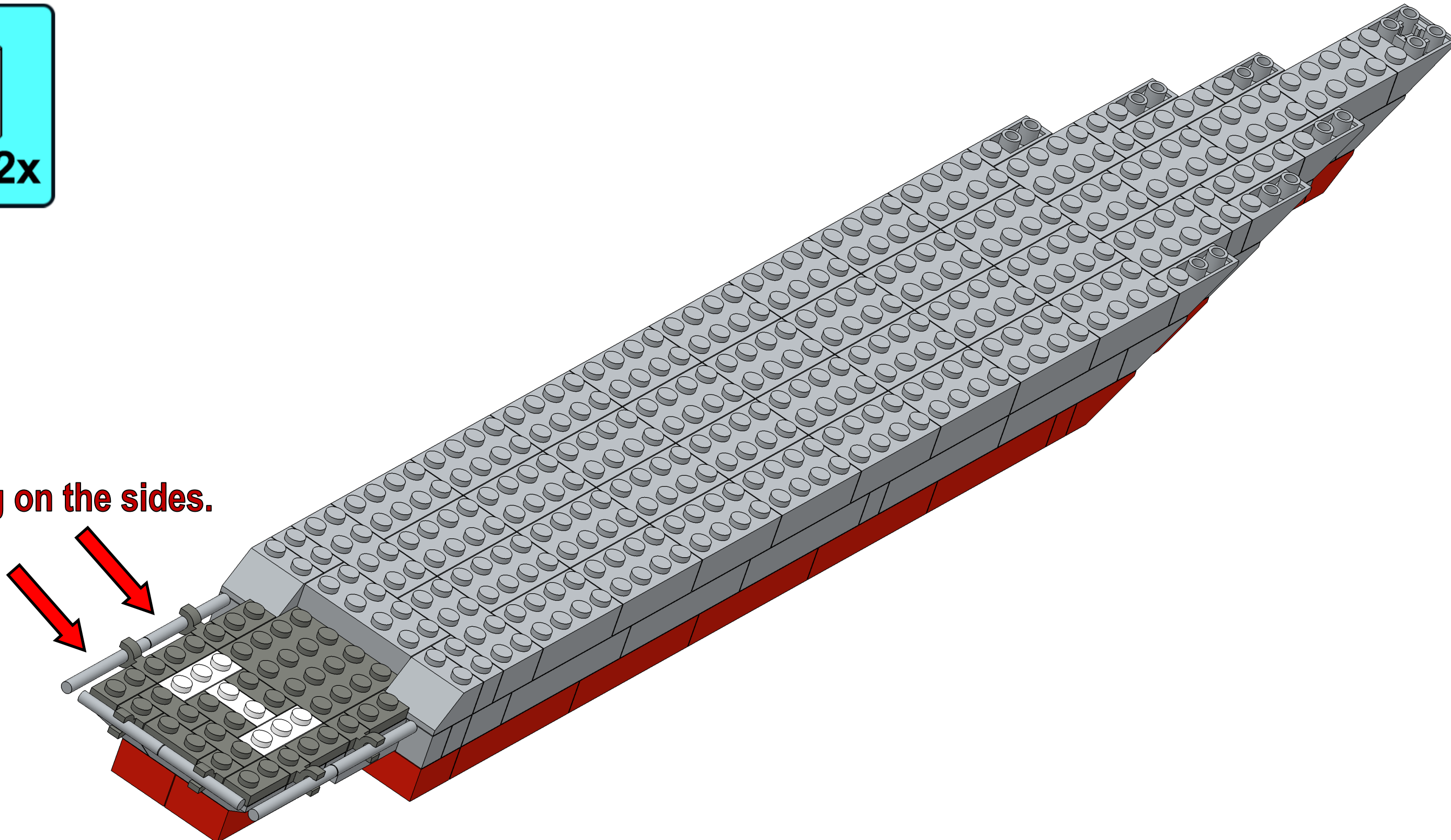


# STEP 18

# USS MITSCHER

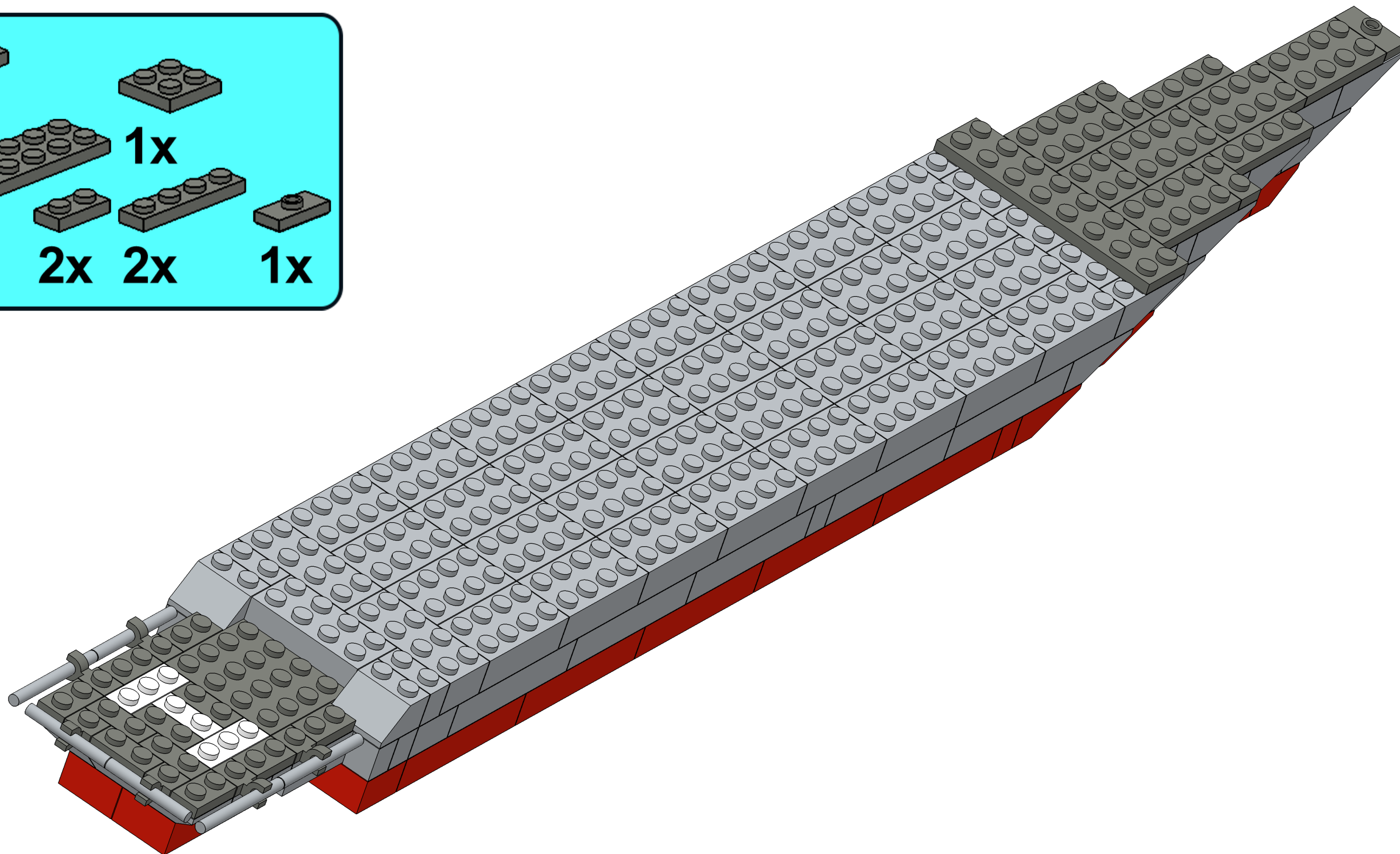
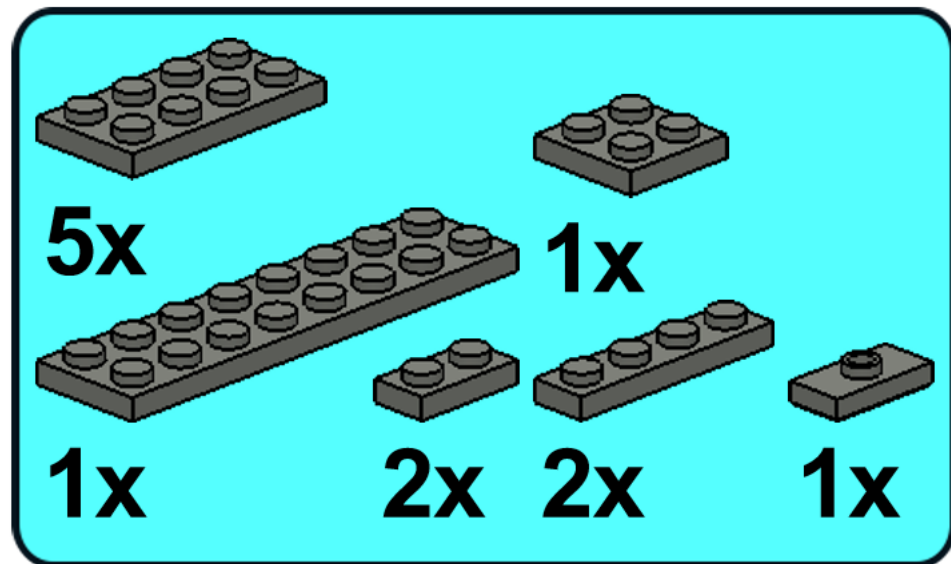


Long on the sides.



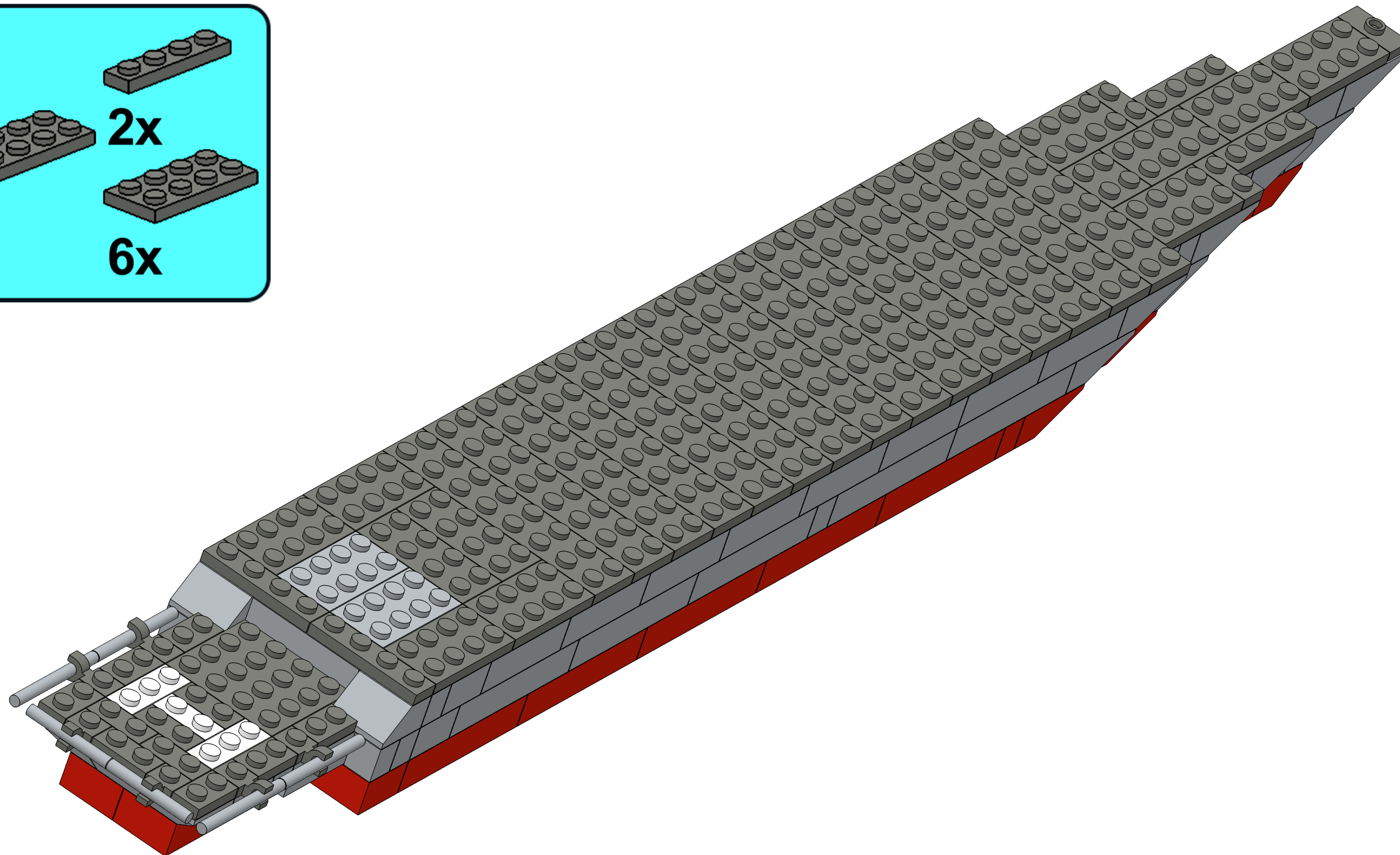
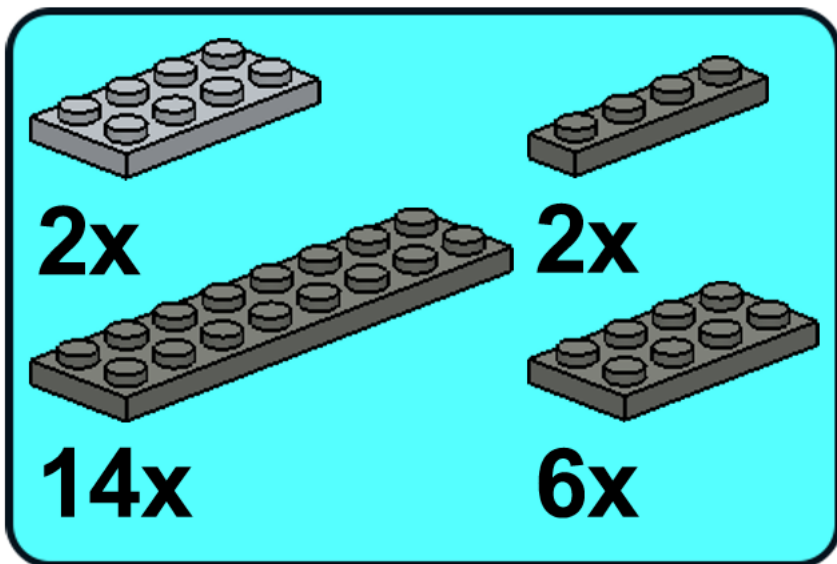
# STEP 19

# USS MITSCHER



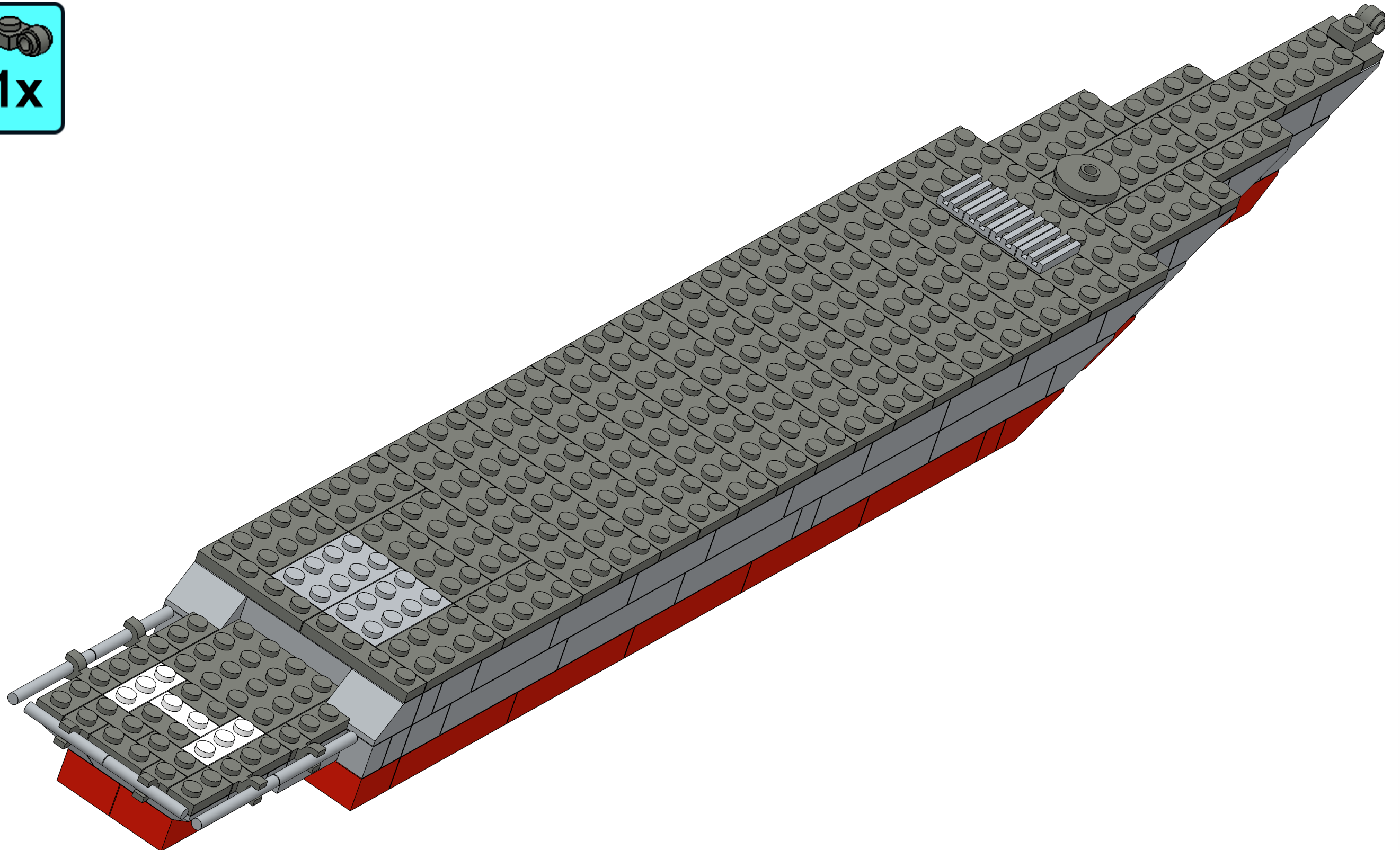
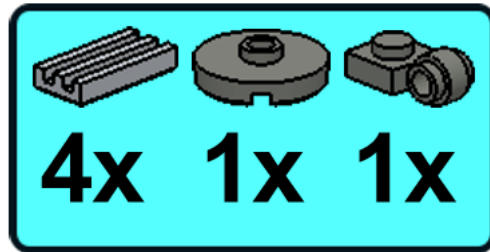
STEP 20

USS MITSCHER



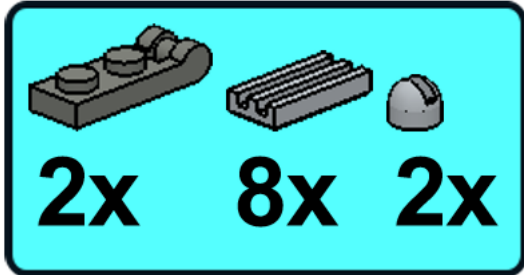
# STEP 21

# USS MITSCHER



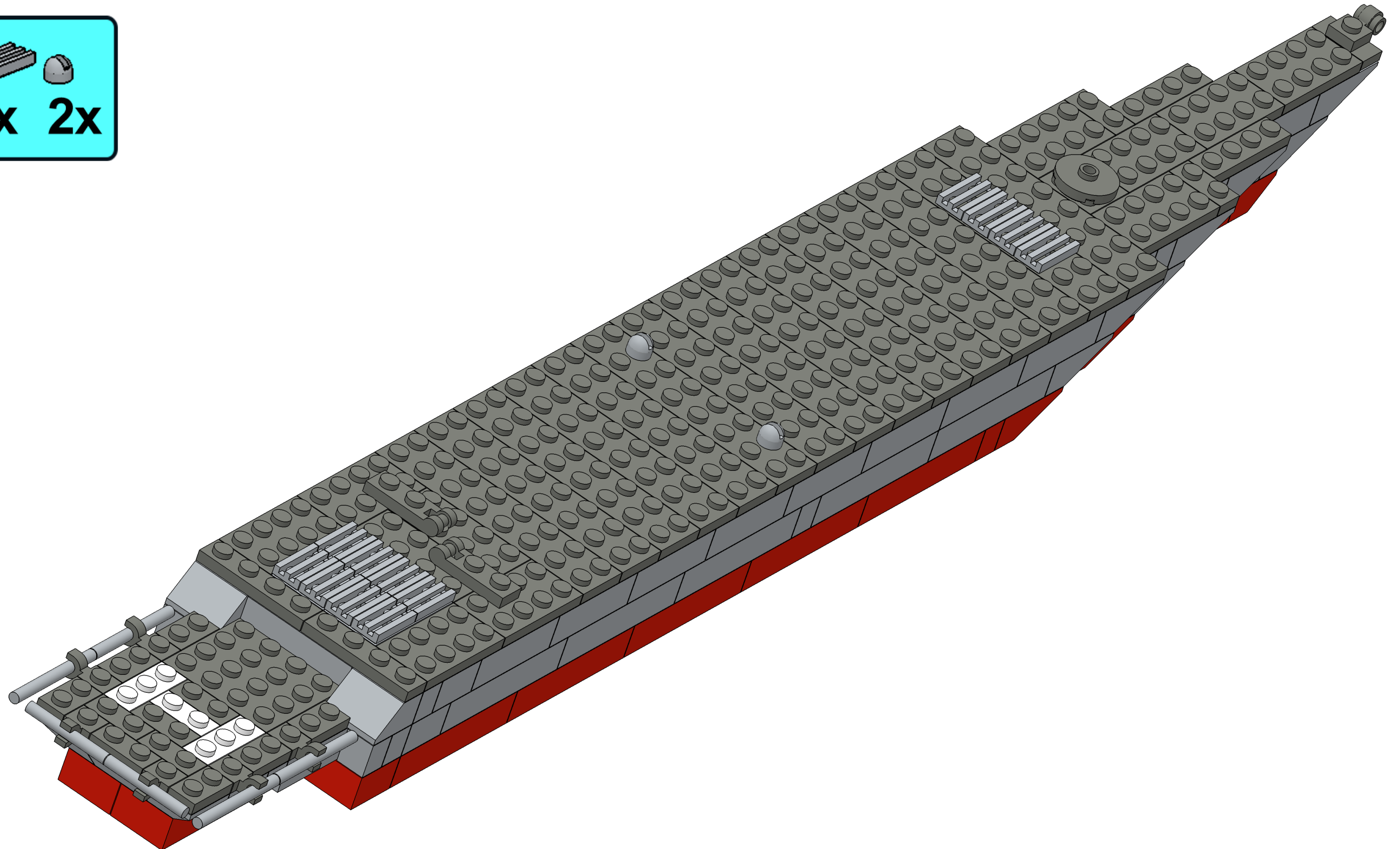
# STEP 22

# USS MITSCHER



2x 8x 2x

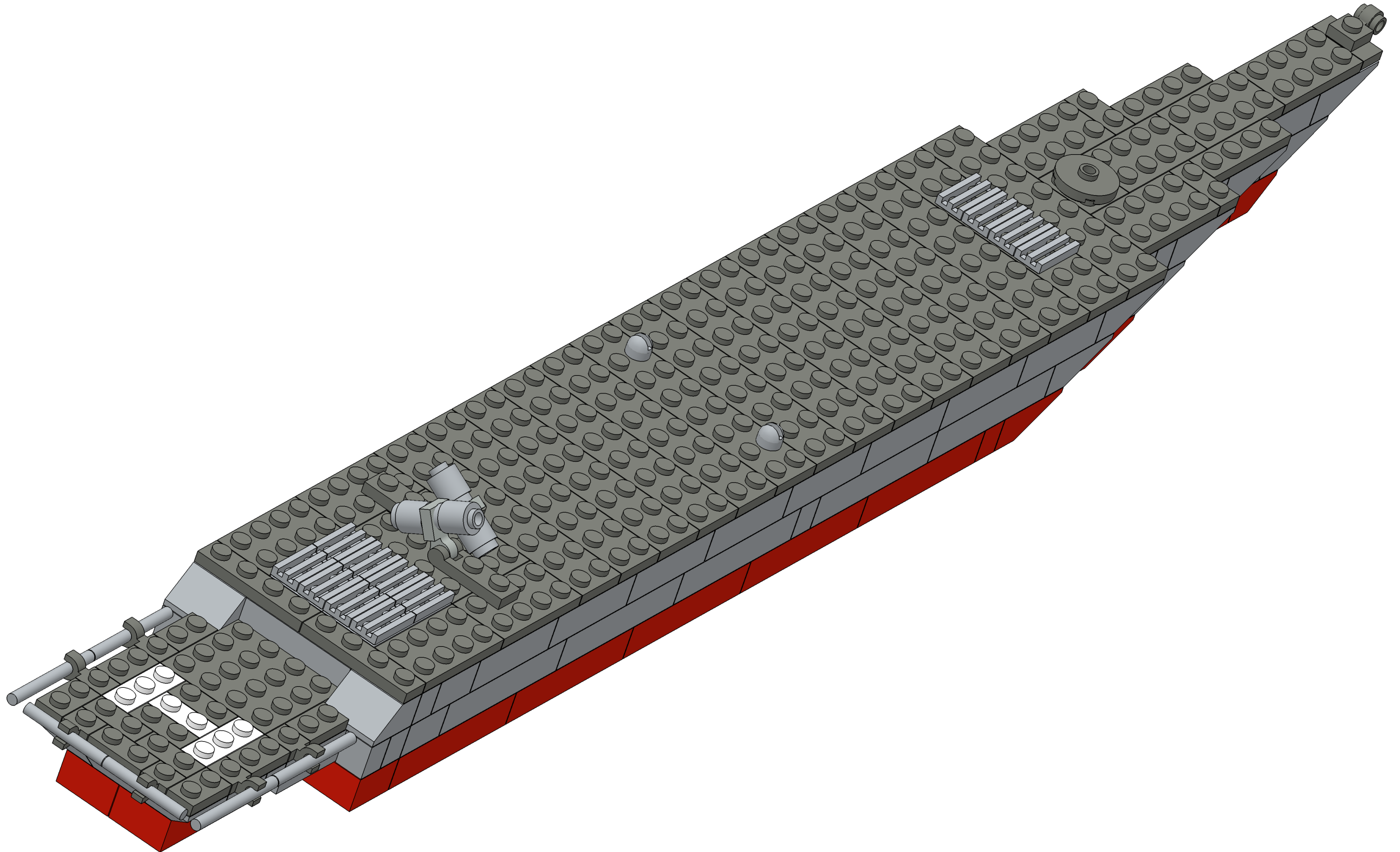
This block contains three small images of LEGO parts: a grey 1x3 Technic brick with three holes, a grey 1x8 Technic Technonut, and a grey 1/2 round Technic bush. Below the images are the quantities '2x', '8x', and '2x' respectively.





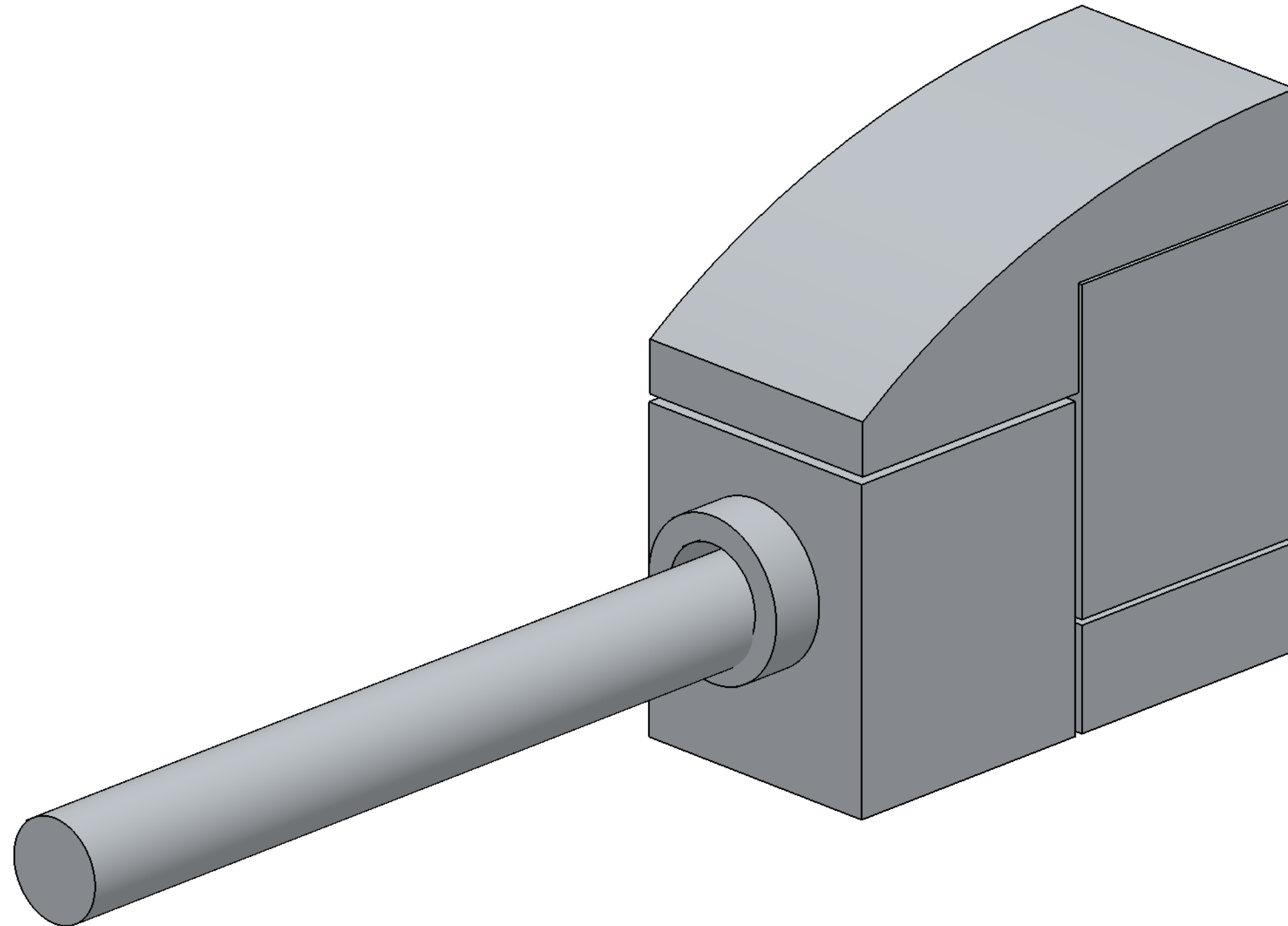
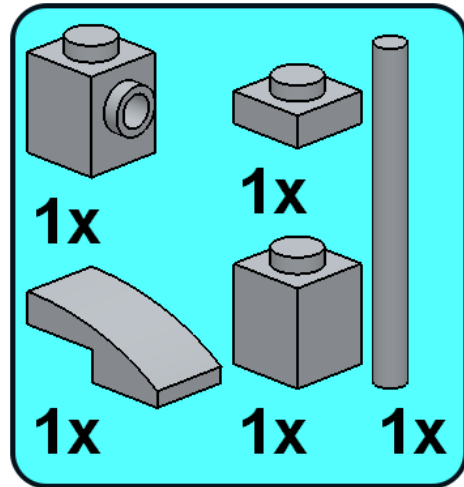
# STEP 23

# USS MITSCHER



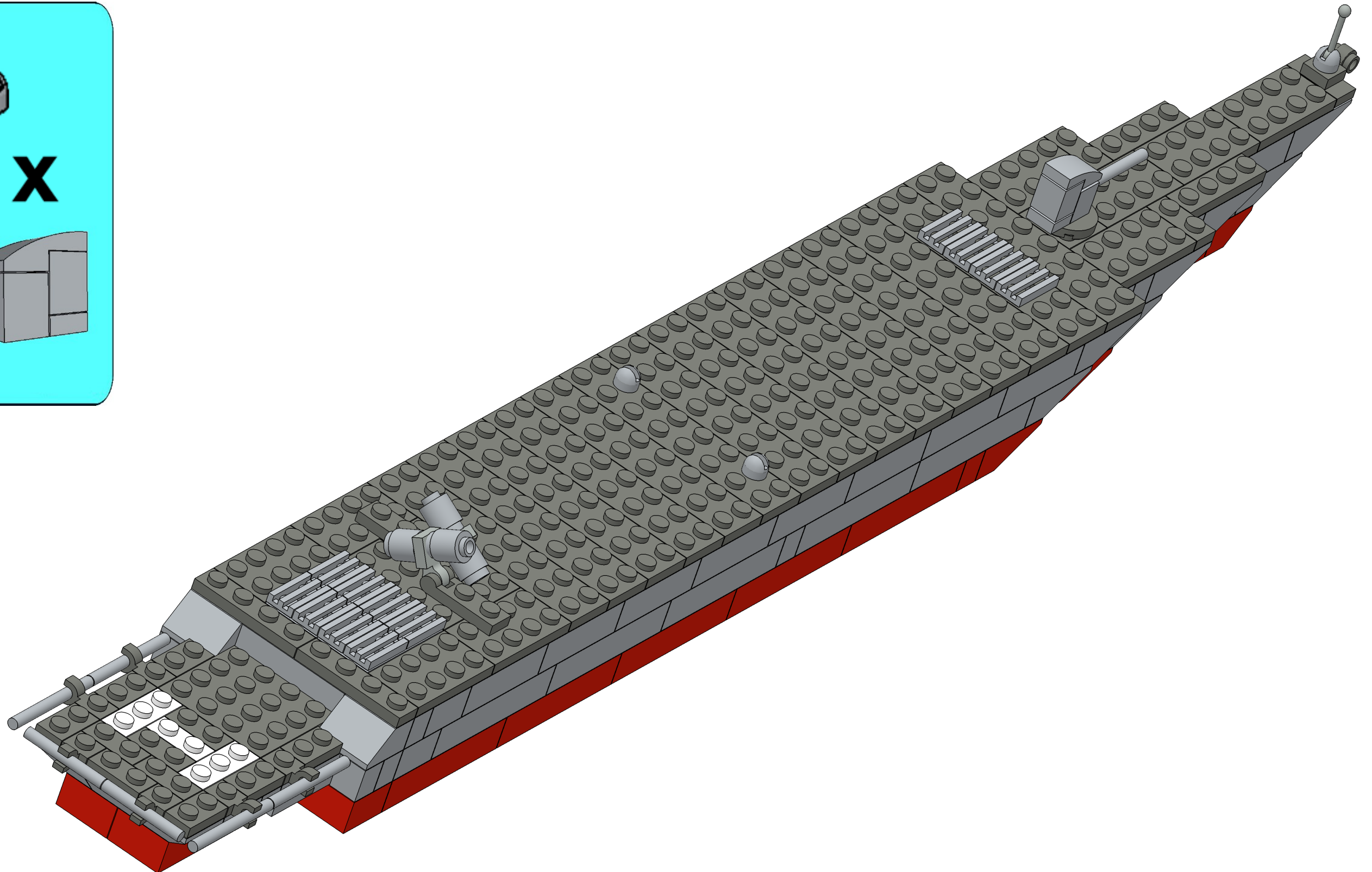
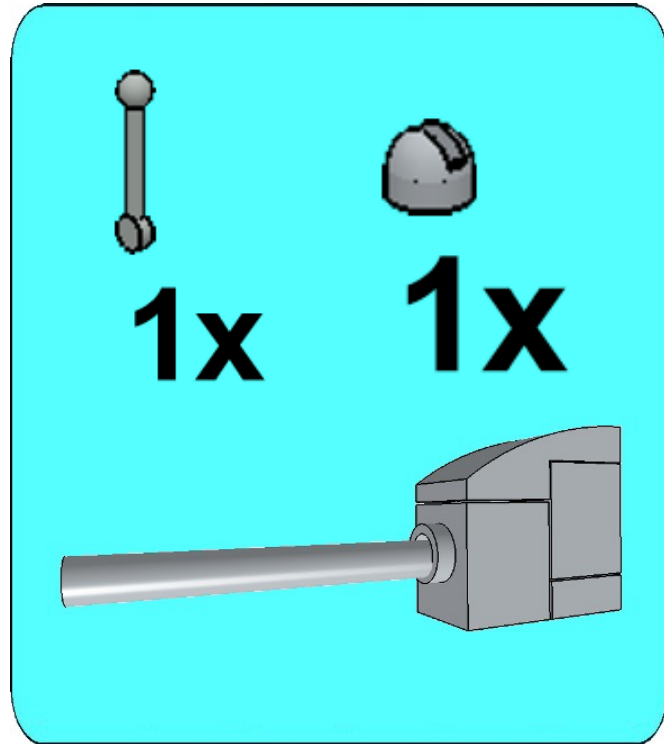
# 5 Inch Gun

USS MITSCHER



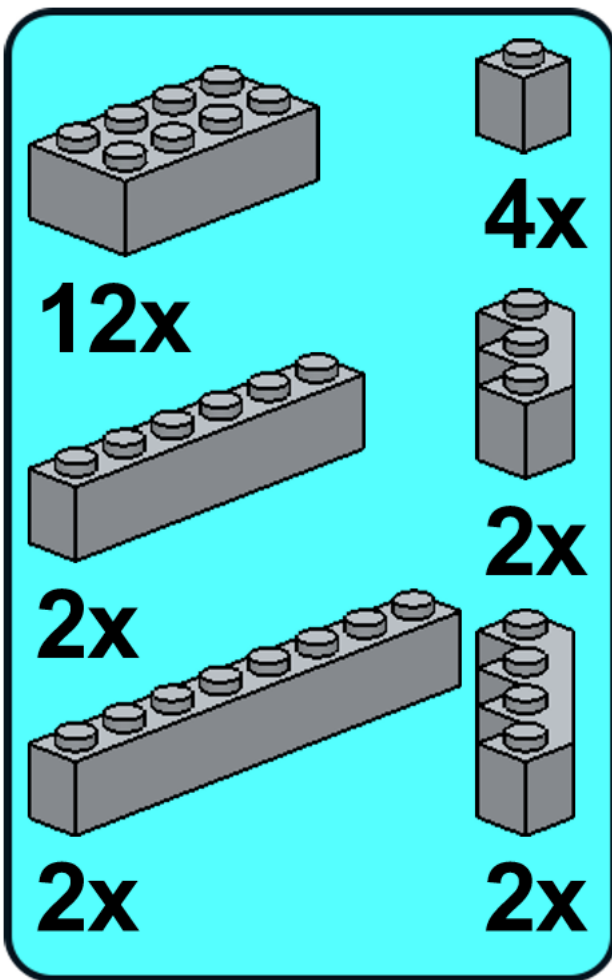
# STEP 24

# USS MITSCHER



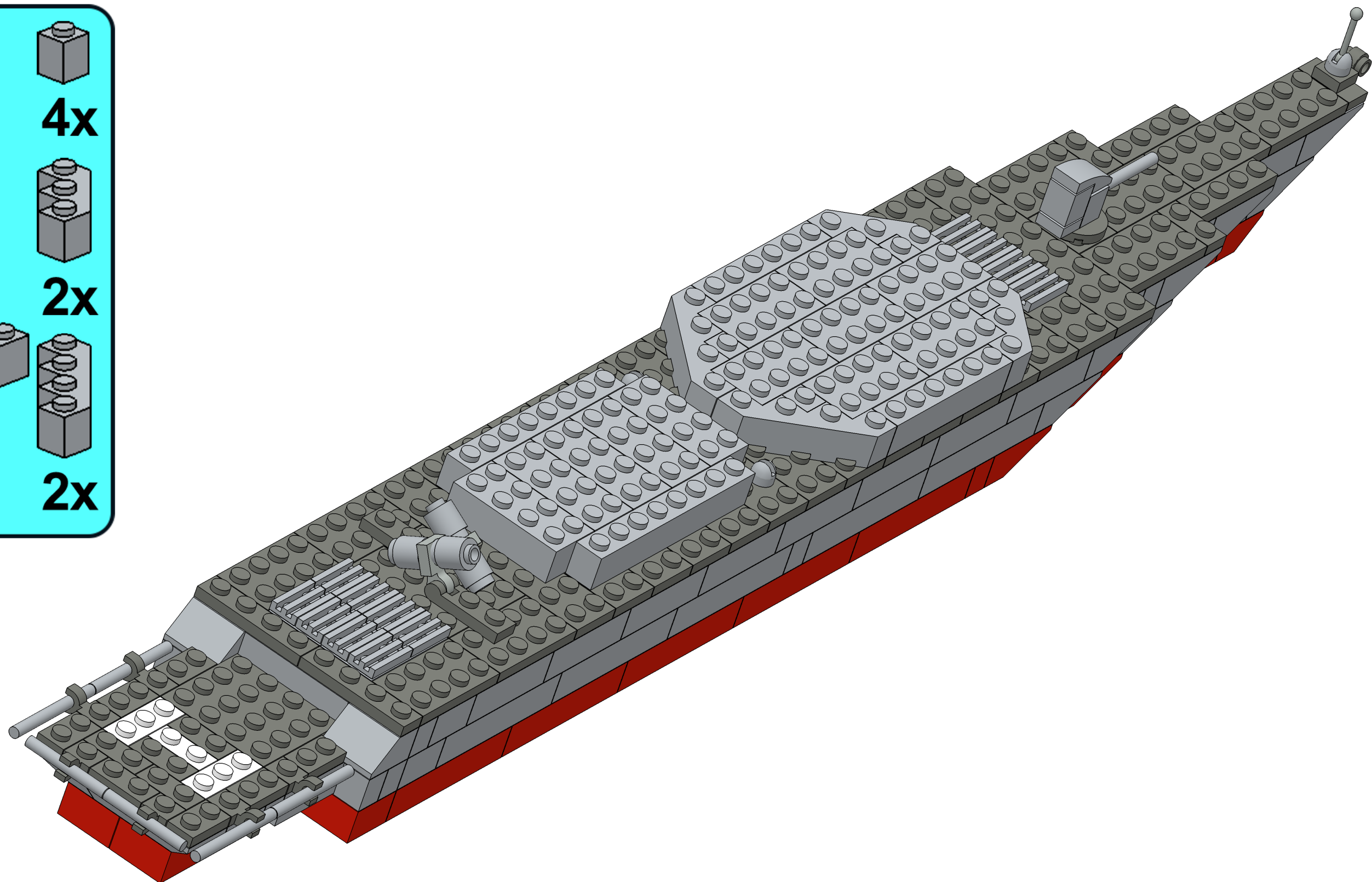
# STEP 25

# USS MITSCHER



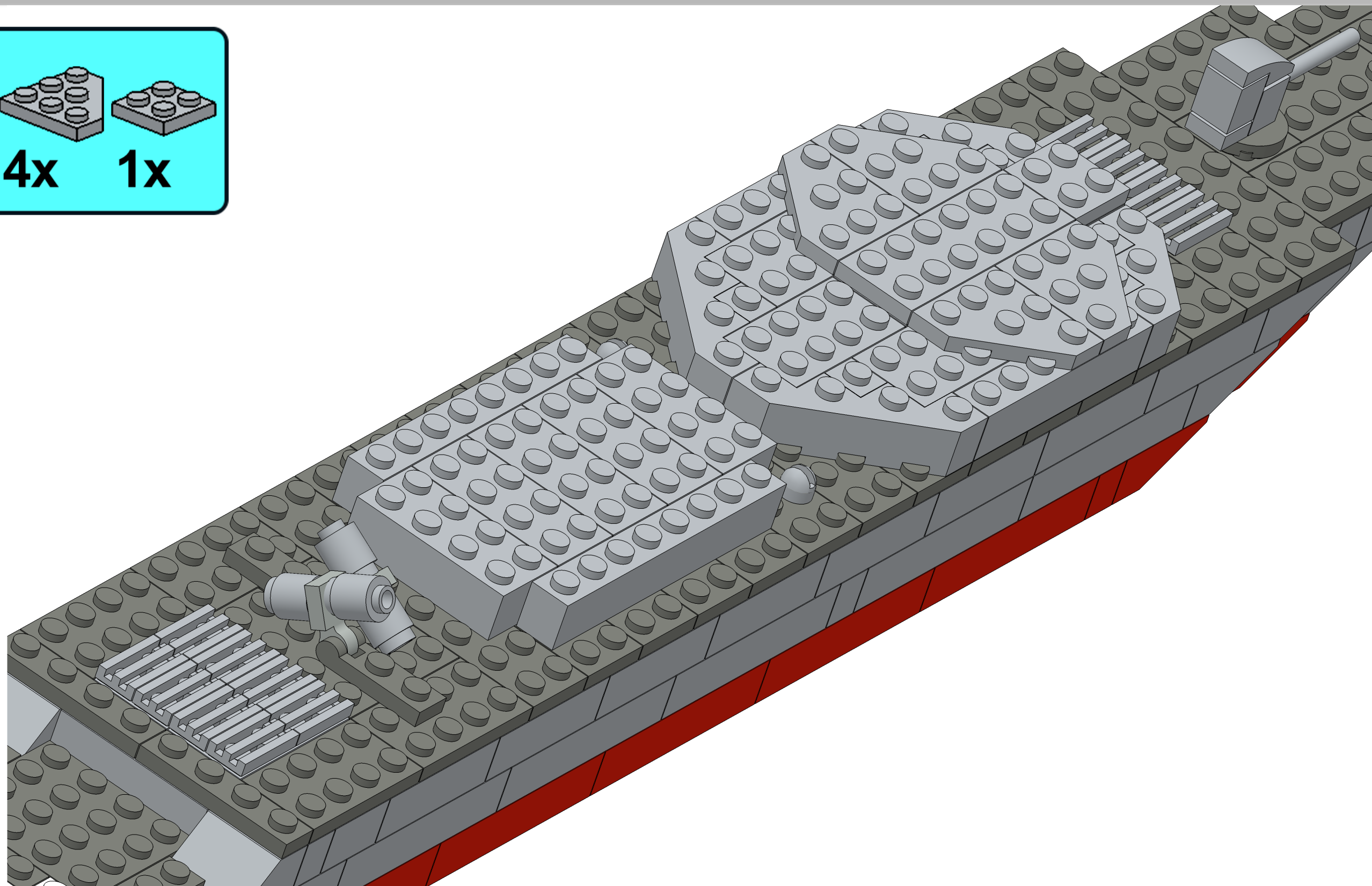
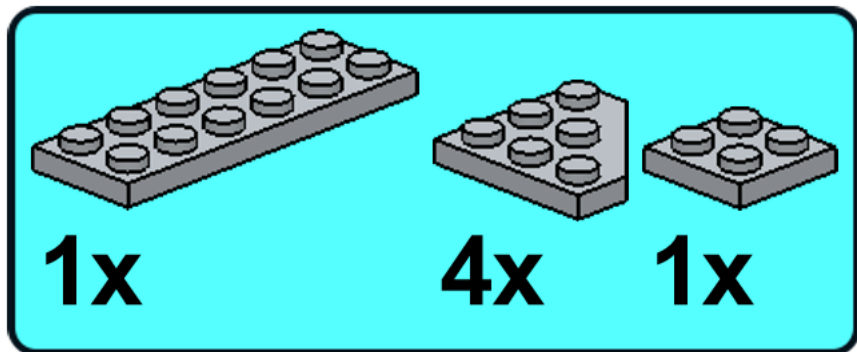
Parts list for Step 25:

- 12x 1x6 Grey Technic Brick
- 2x 1x8 Grey Technic Brick
- 2x 1x10 Grey Technic Brick
- 4x 1x1 Grey Technic Brick
- 2x 1x2 Grey Technic Brick
- 2x 1x3 Grey Technic Brick



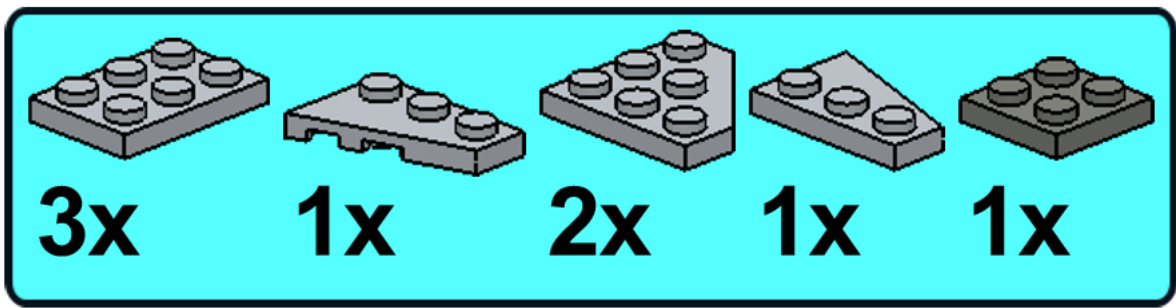
# STEP 26

# USS MITSCHER



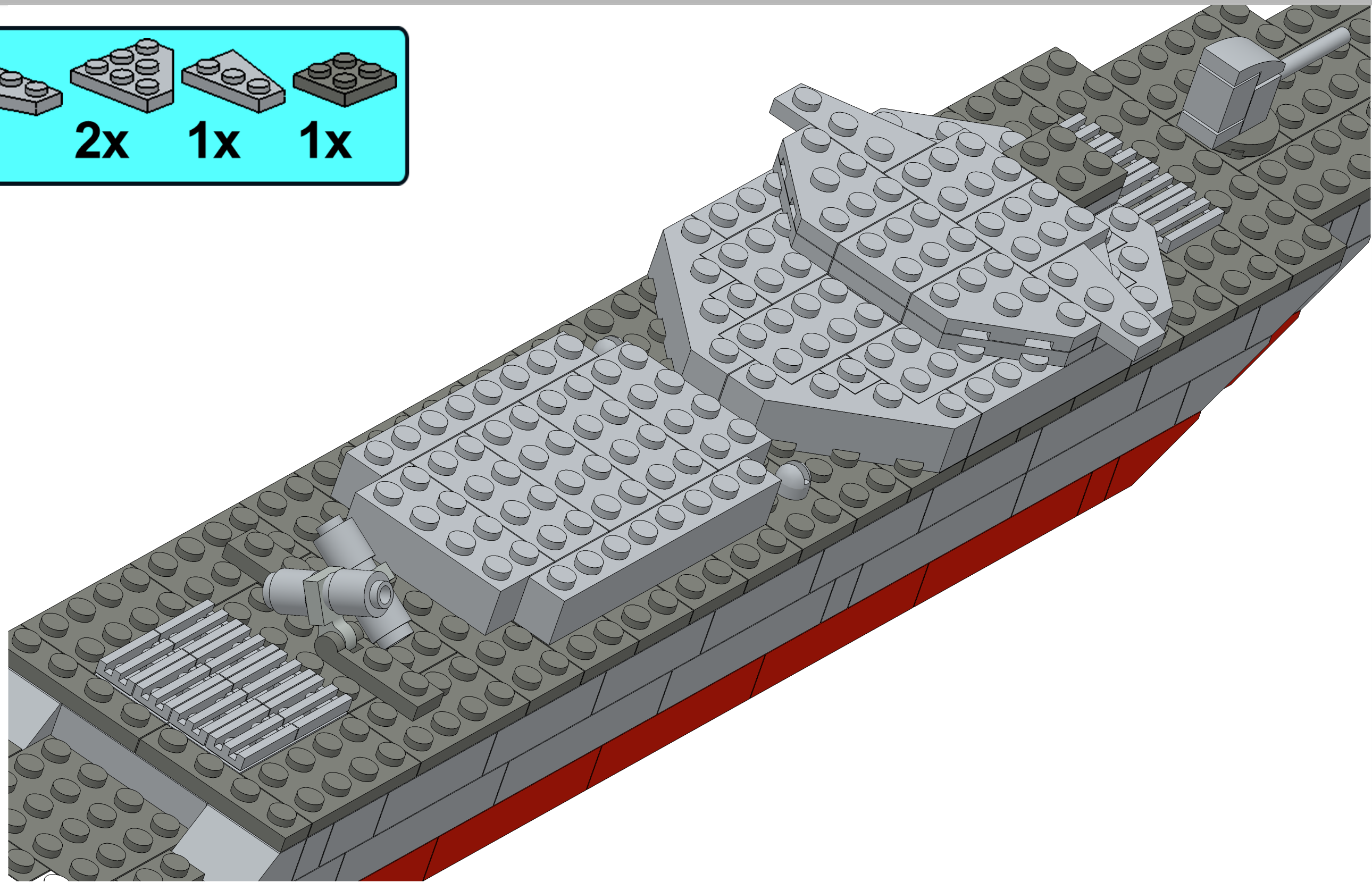
# STEP 27

# USS MITSCHER



3x 1x 2x 1x 1x

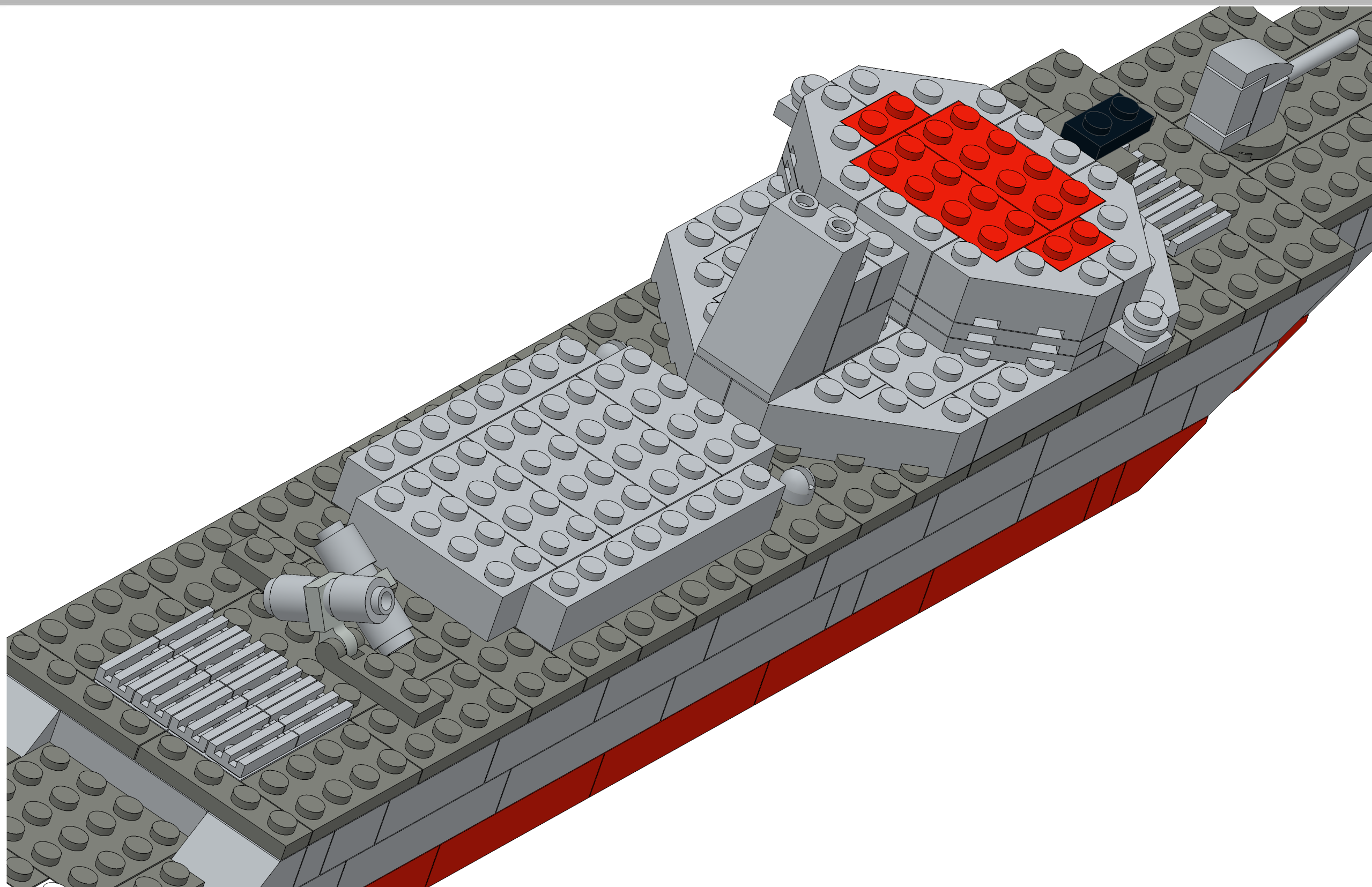
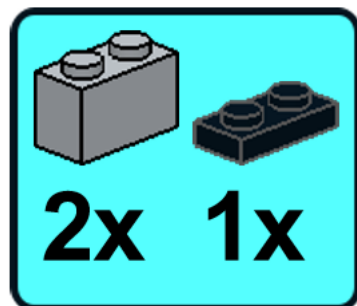
This block contains a list of five grey LEGO Technic parts with their respective quantities: 3x 1x3 plate with 6 studs, 1x 1x3 Technic brick with a notch, 2x 1x3 plate with 6 studs, 1x 1x3 Technic brick, and 1x 1x3 plate with 6 studs.





# STEP 29

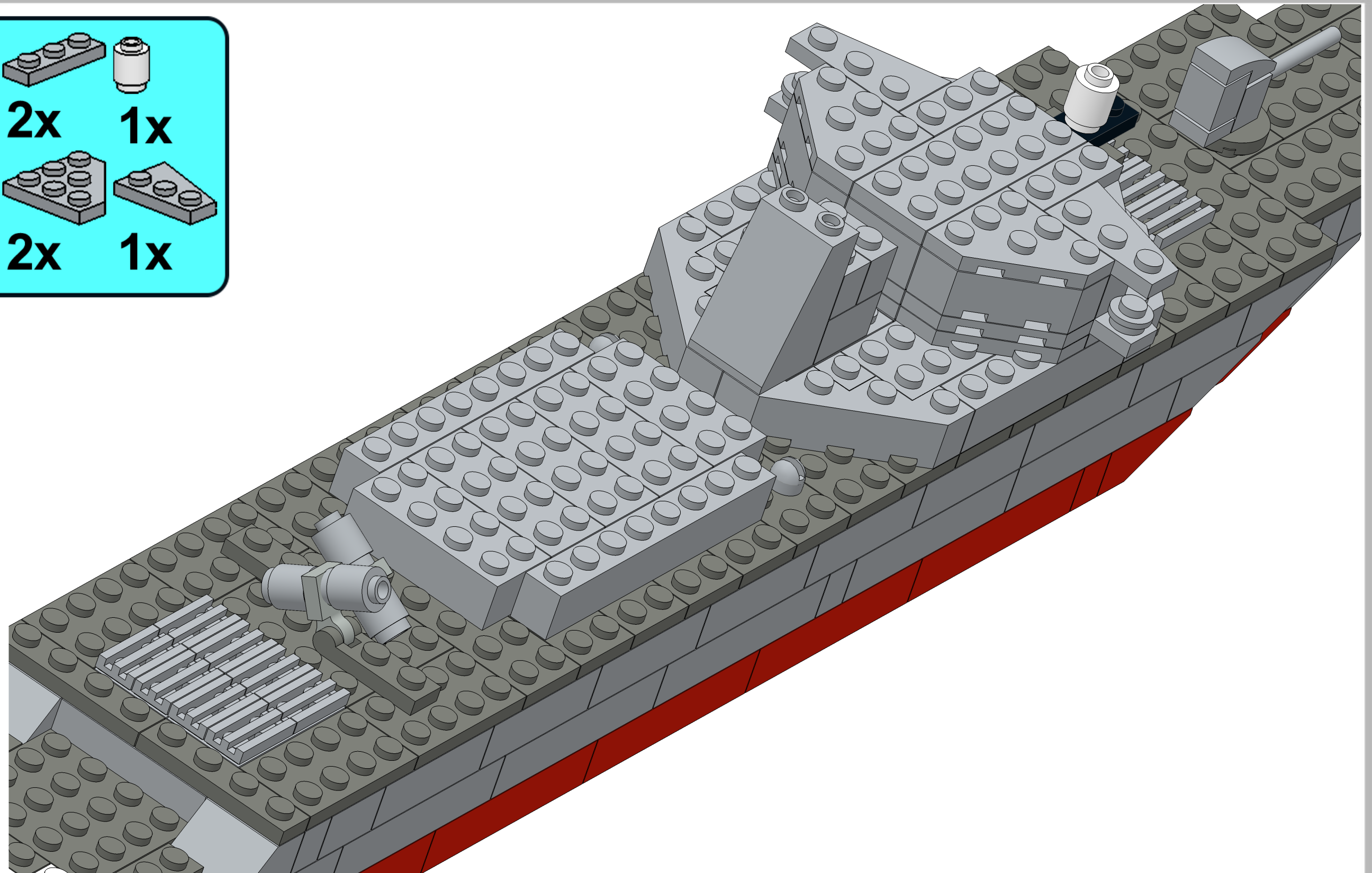
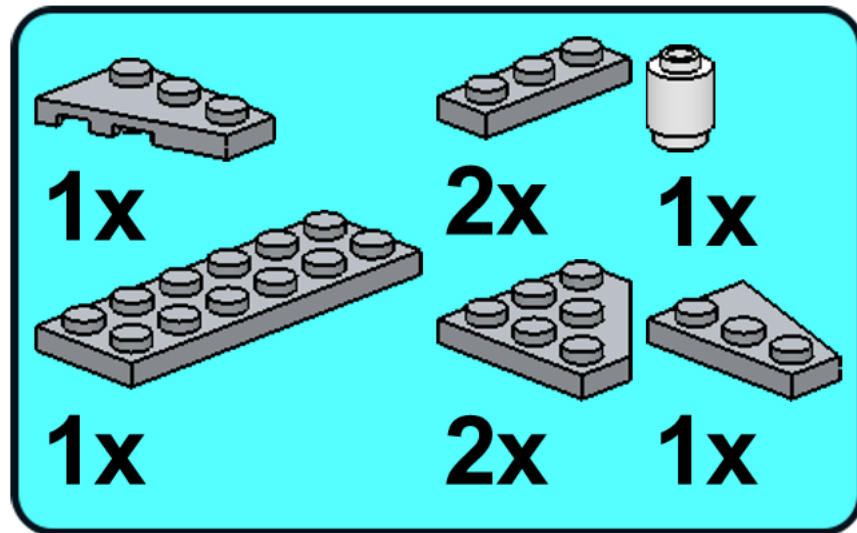
# USS MITSCHER





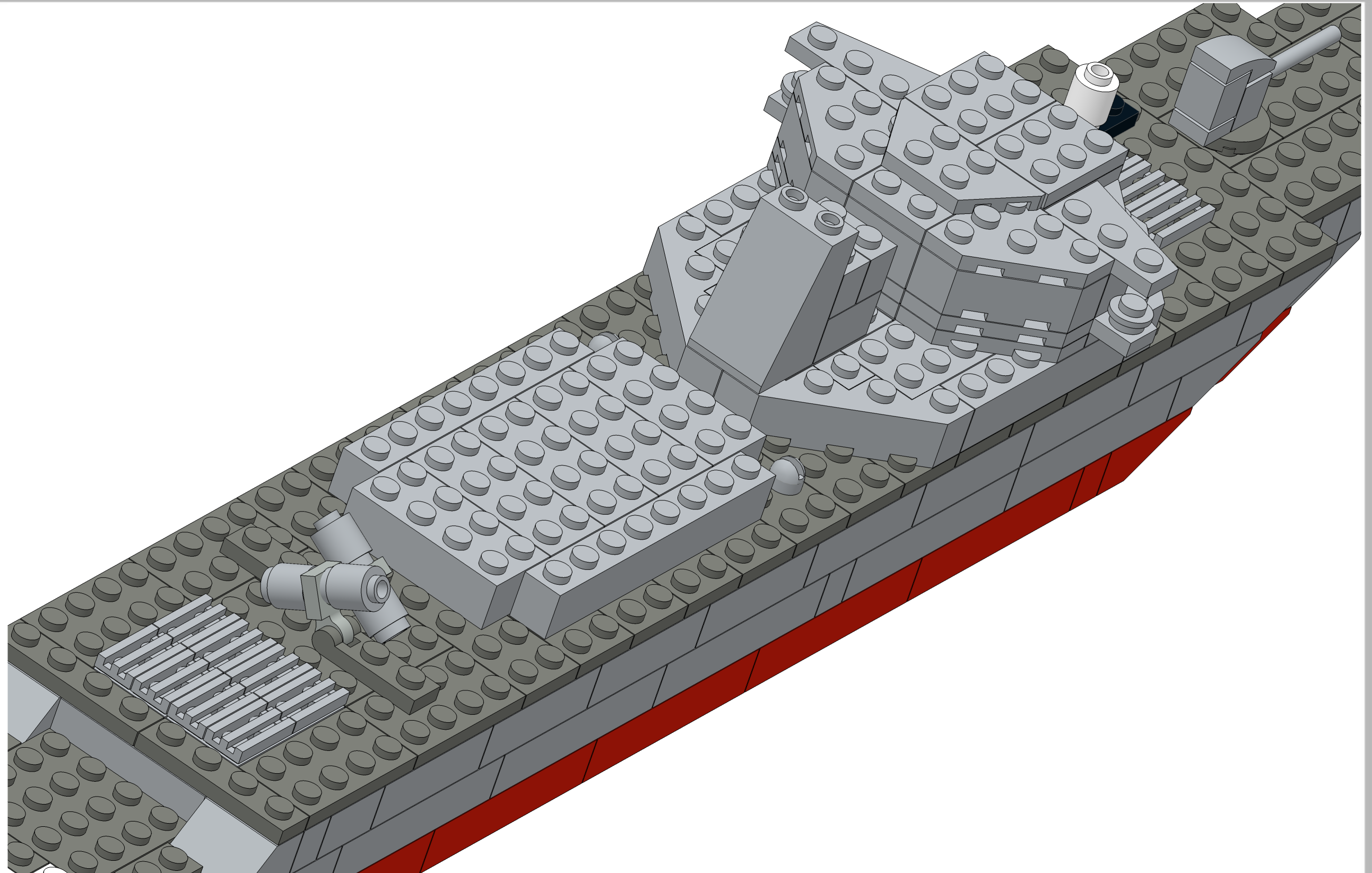
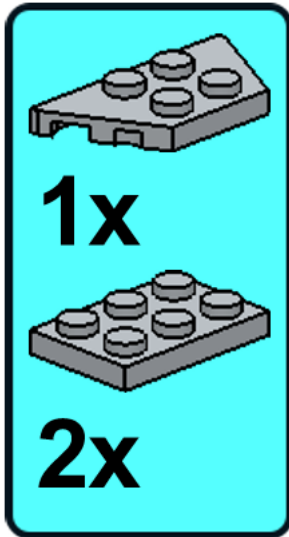
# STEP 30

# USS MITSCHER



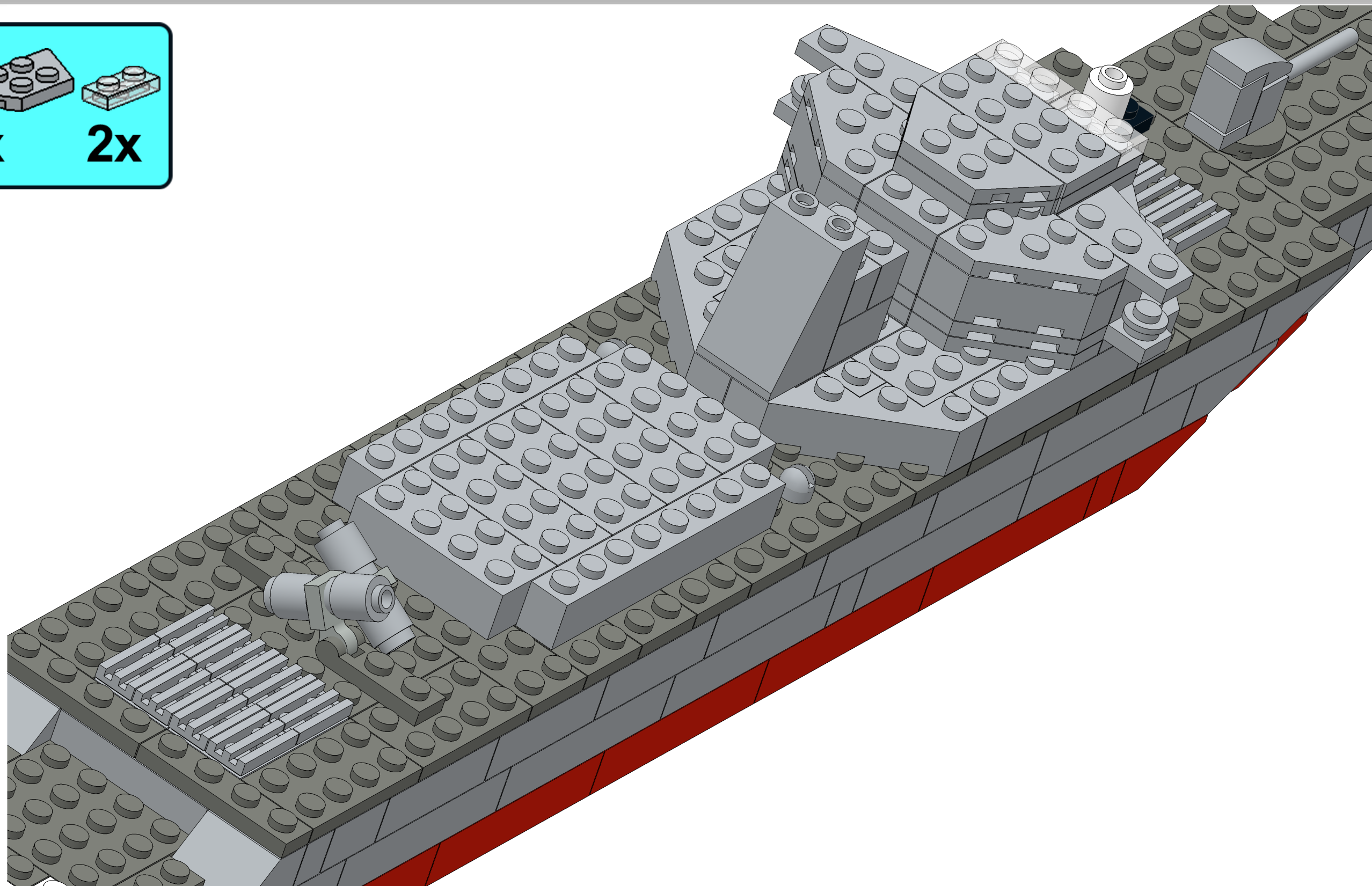
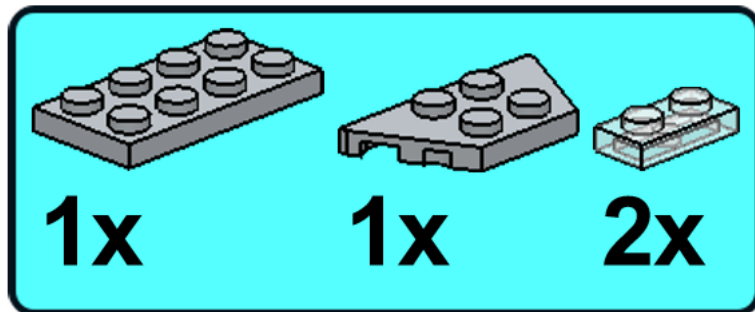
# STEP 31

# USS MITSCHER



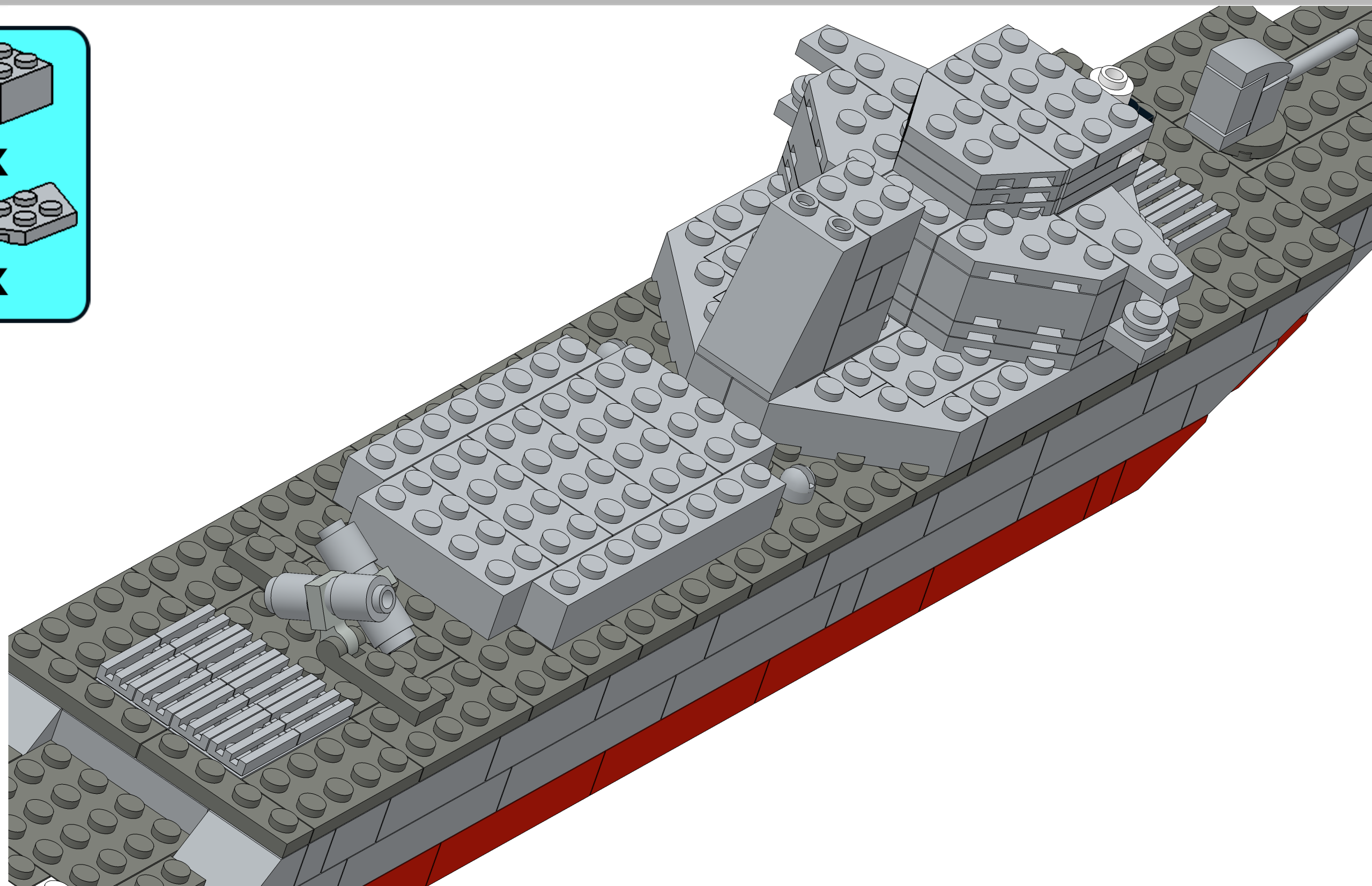
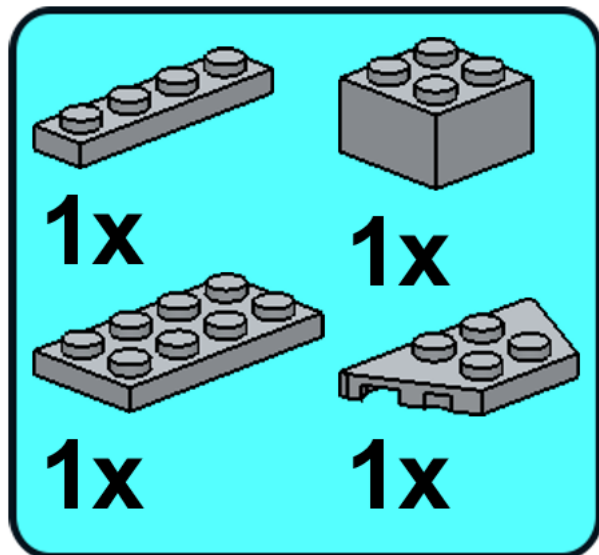
# STEP 32

# USS MITSCHER



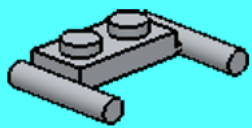



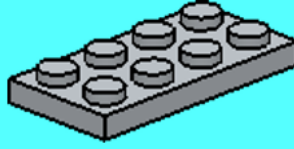


# STEP 33

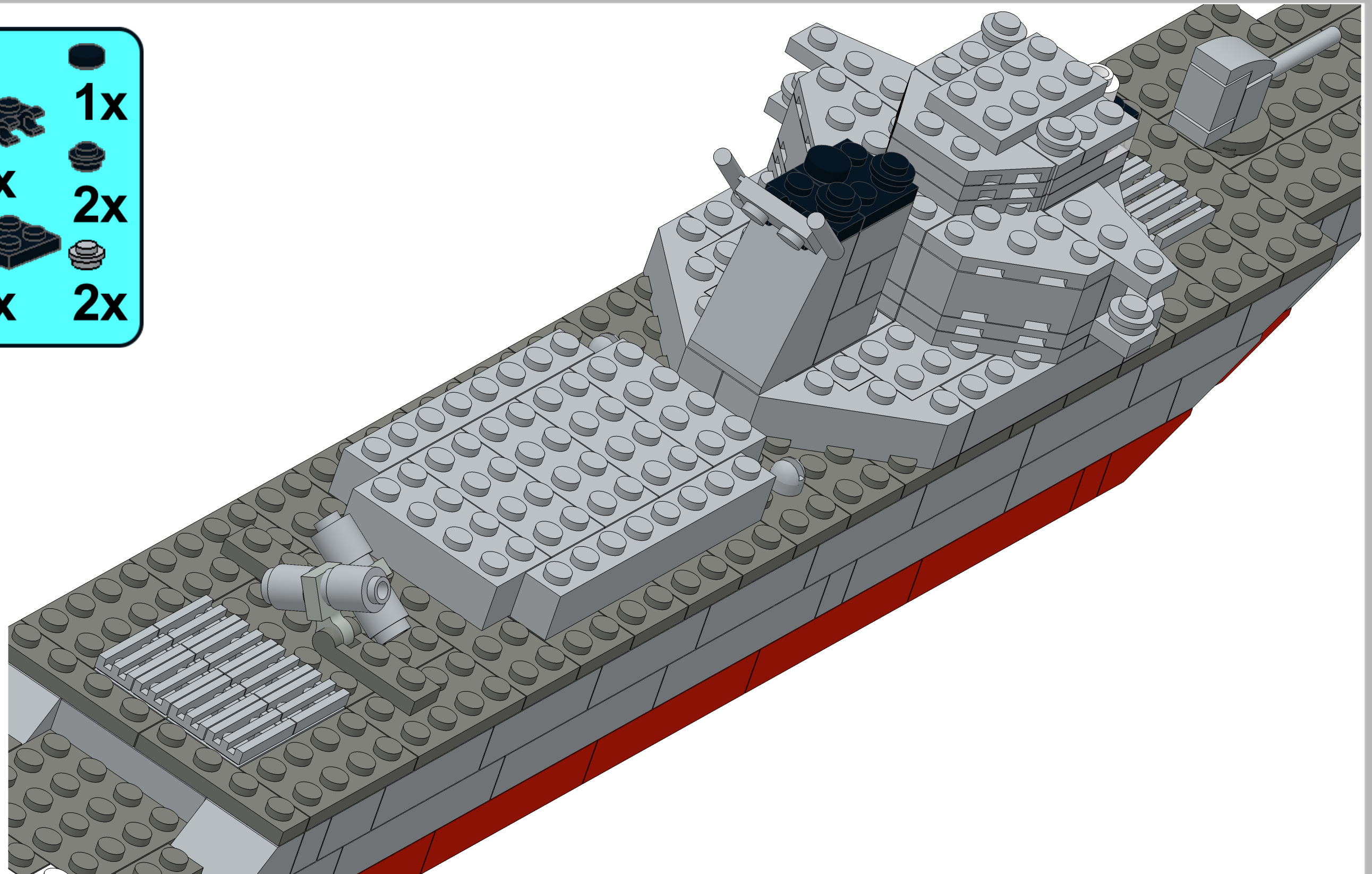
# USS MITSCHER



# STEP 34

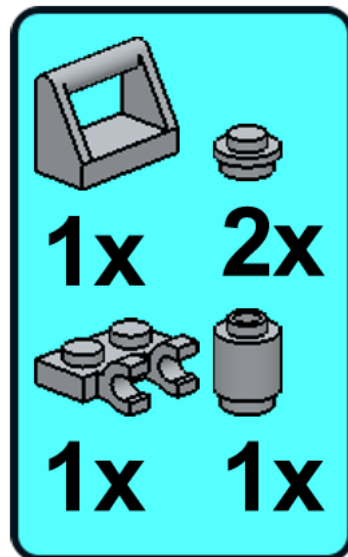
# USS MITSCHER

|   |   |  |
|---|---|--|
|  |  | <br><b>1x</b> |
| <b>1x</b>   | <b>1x</b>   | <br><b>2x</b> |
|  |  | <br><b>2x</b> |
| <b>1x</b>   | <b>1x</b>   |  |



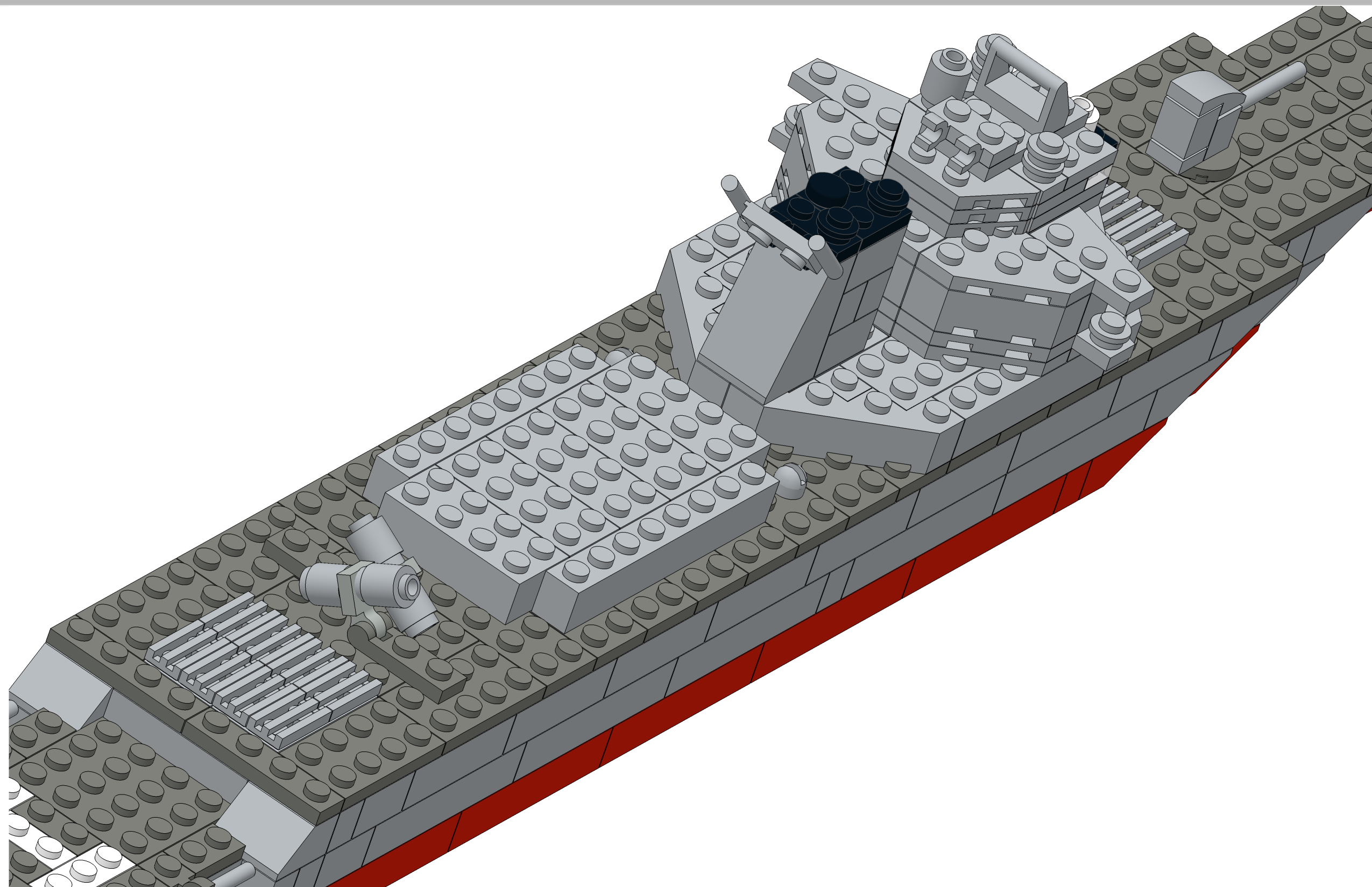
# STEP 35

# USS MITSCHER



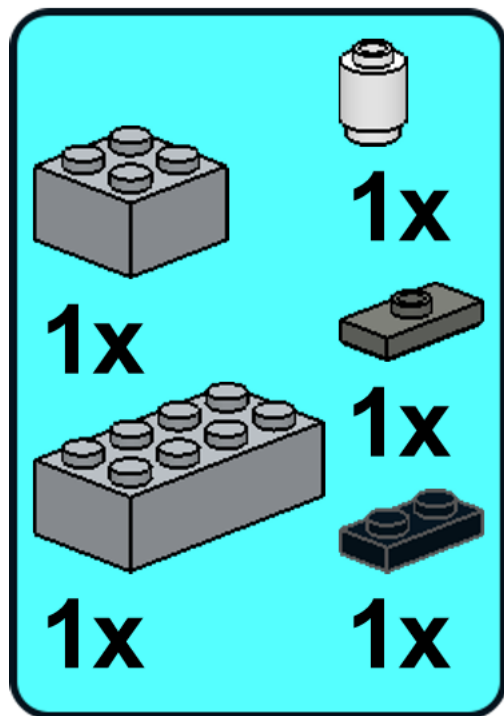
1x 2x  
1x 1x

This block contains a list of four LEGO parts with their respective quantities. The first row shows a grey 1x3 Technic bracket (1x) and a grey 1x2 Technic axle pin (2x). The second row shows a grey 1x2 Technic axle pin (1x) and a grey 1x2 Technic axle pin (1x).



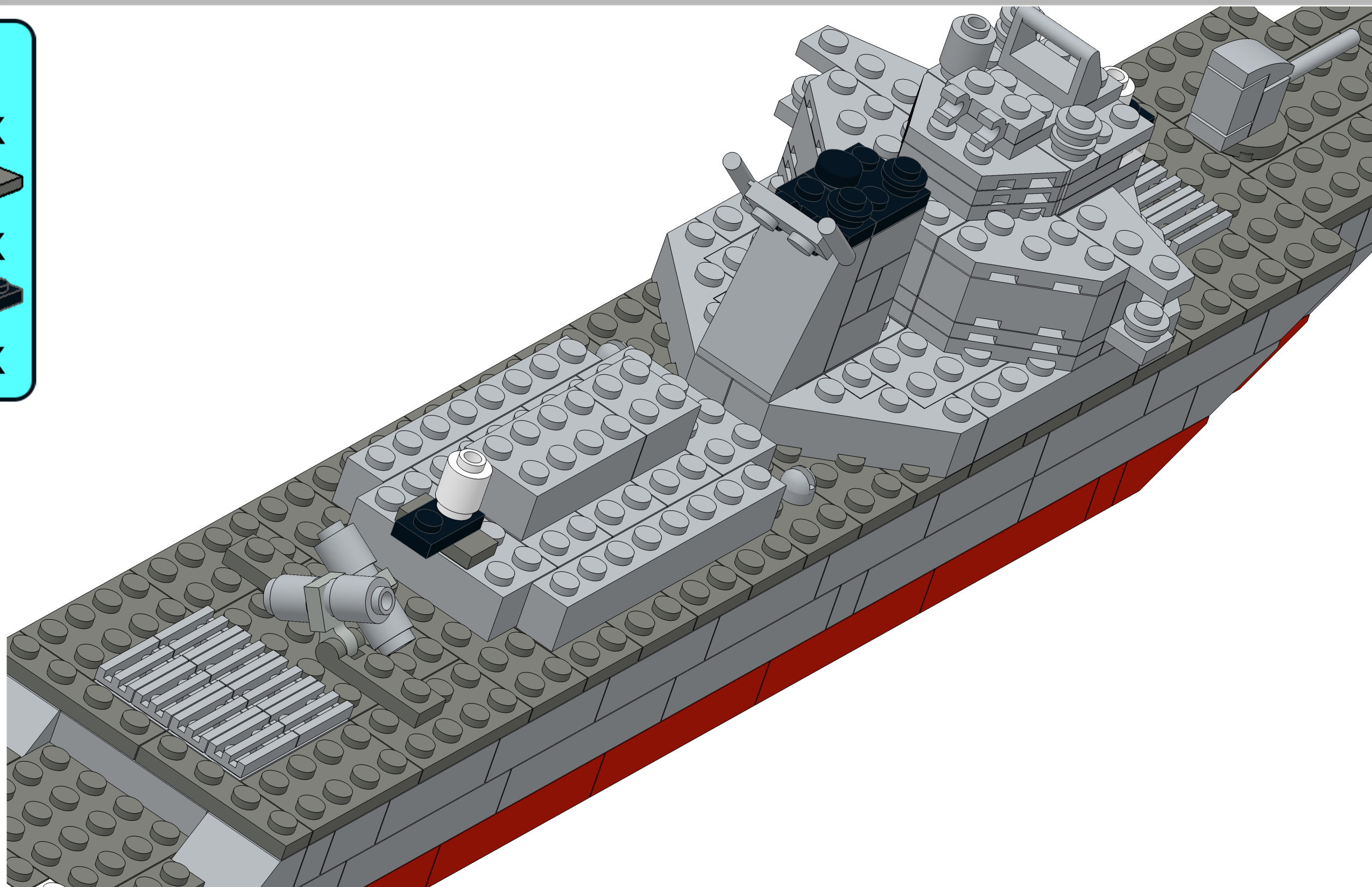
# STEP 36

# USS MITSCHER



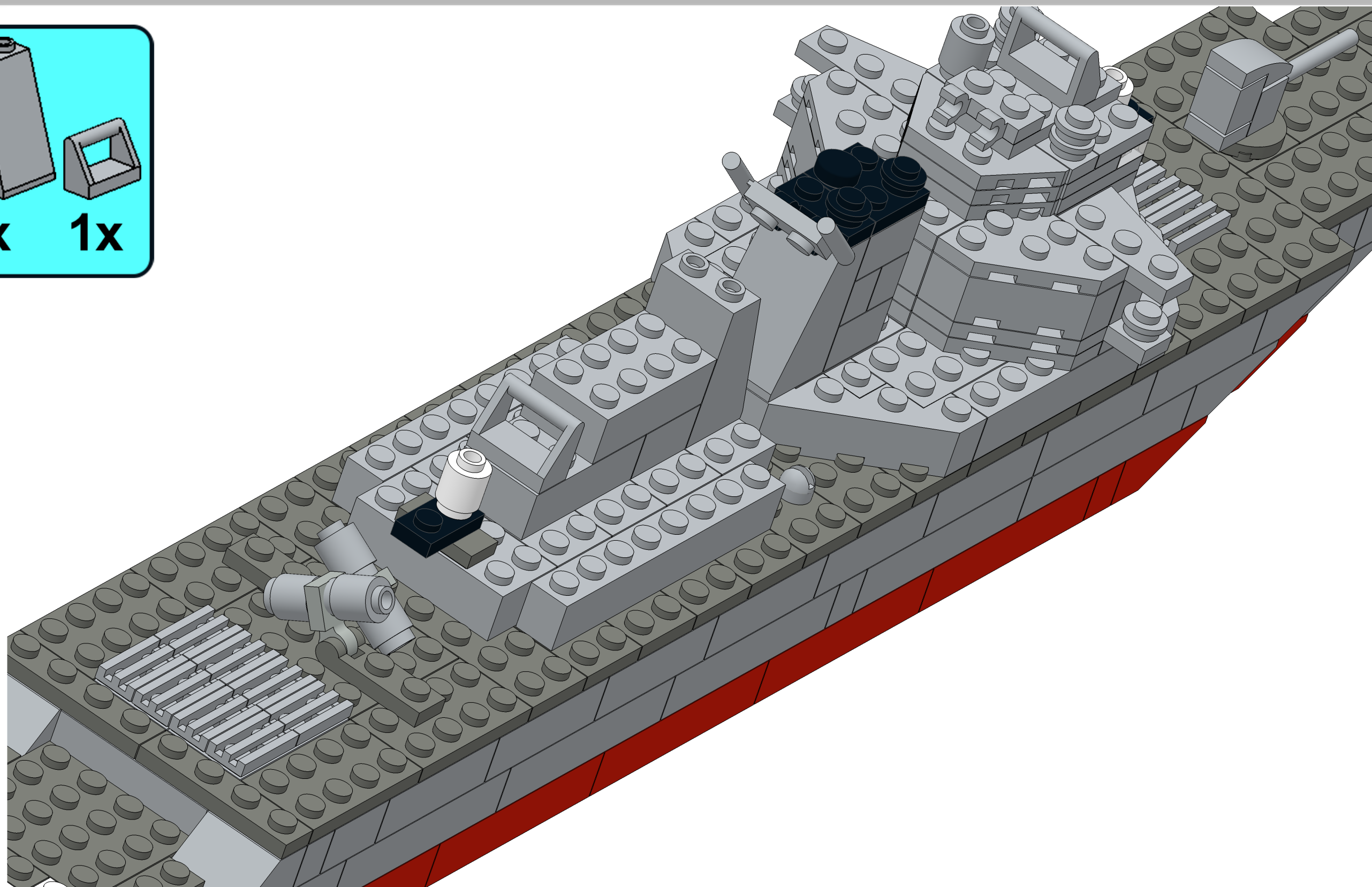
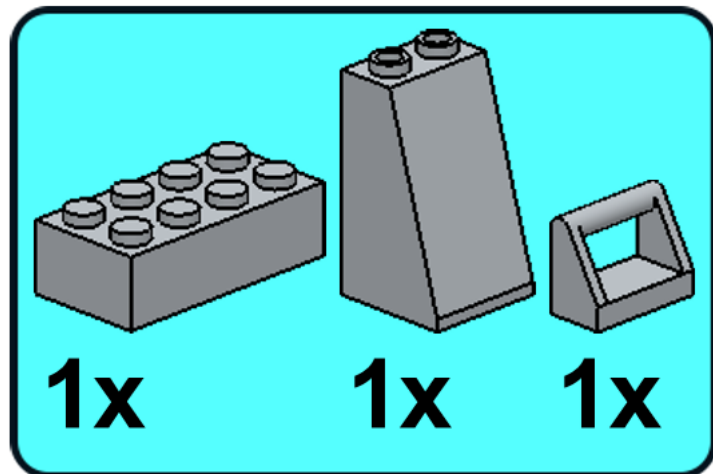
1x 1x  
1x 1x  
1x 1x

This block contains a list of parts for step 36. On the left side, there are three items: a grey 2x3 brick, a grey 1x3 brick, and a grey 1x4 brick. On the right side, there are four items: a white 1x1 pin, a grey 1x1 brick with a hole, a grey 1x2 brick with a hole, and a black 1x2 brick with a hole. Each item is accompanied by the quantity '1x'.



# STEP 37

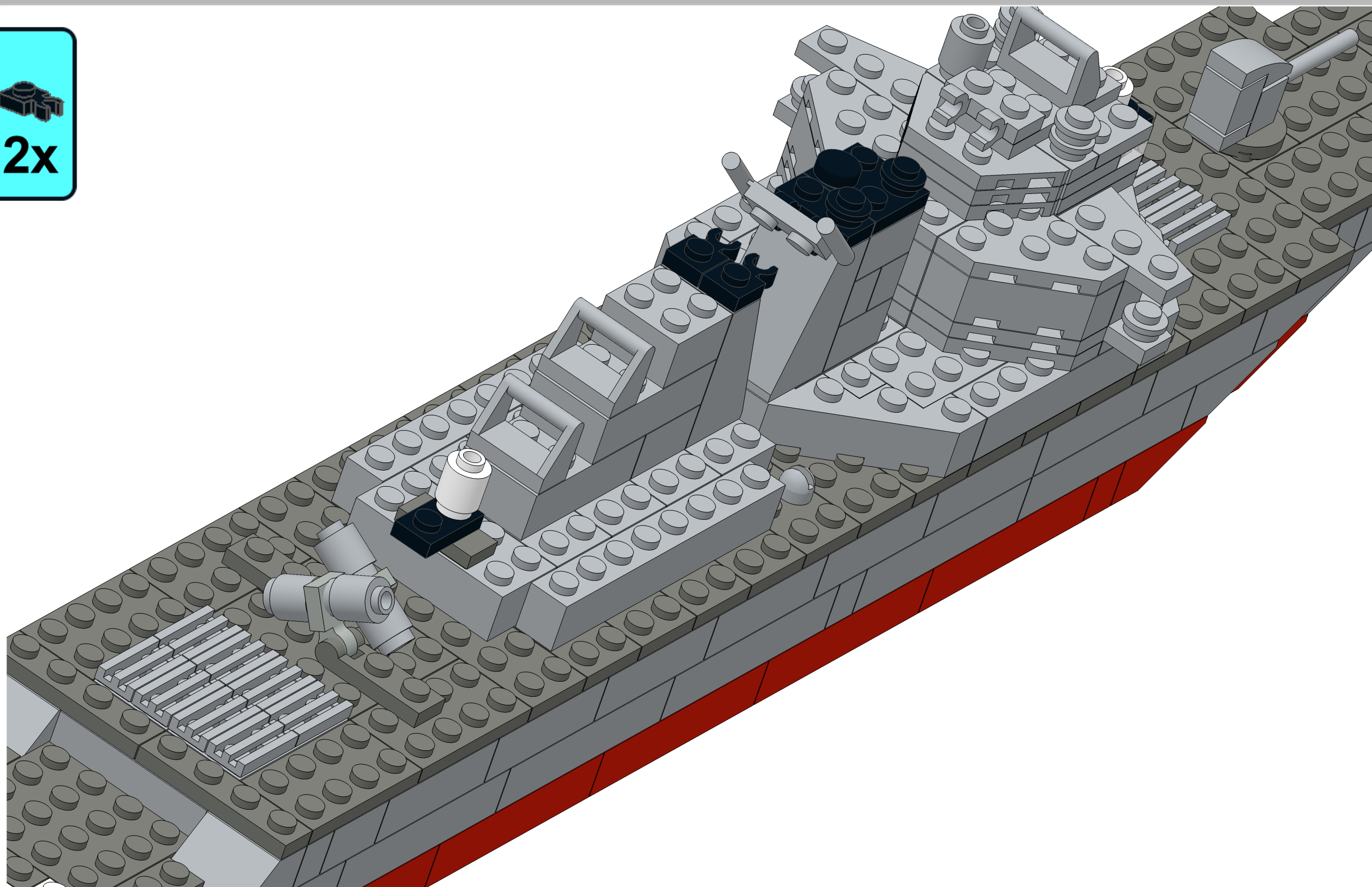
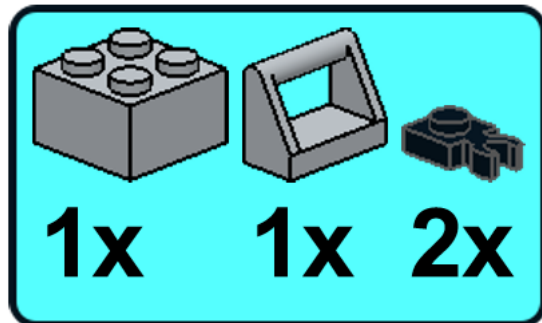
# USS MITSCHER





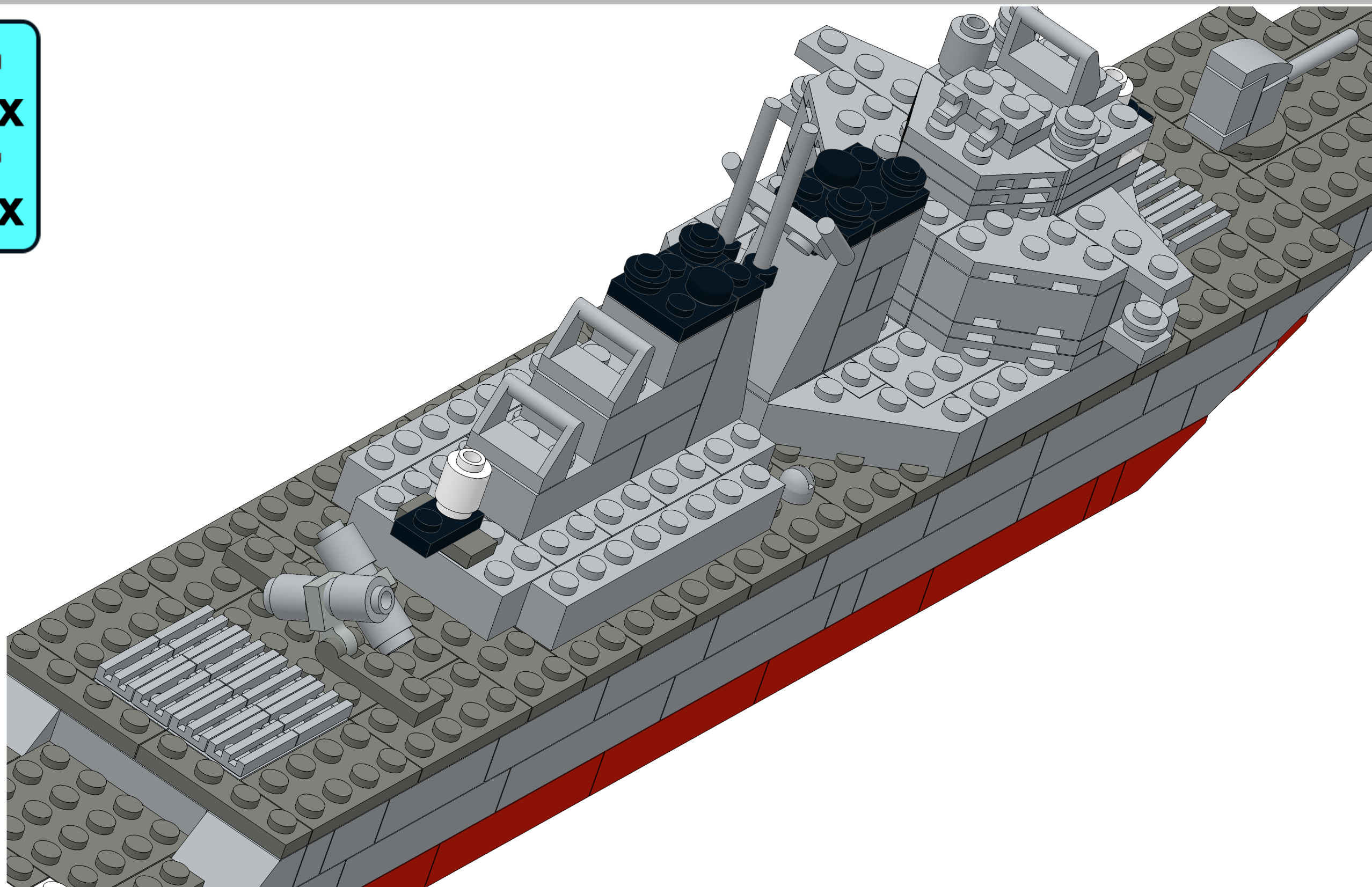
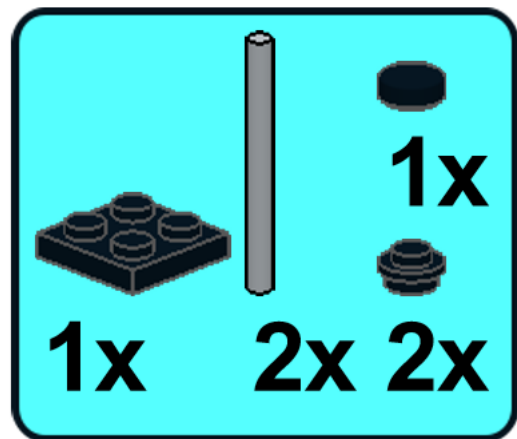
# STEP 38

# USS MITSCHER



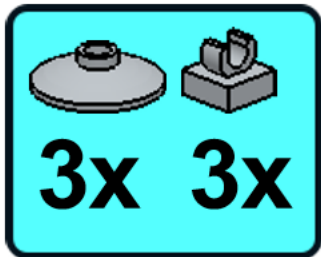
# STEP 39

# USS MITSCHER

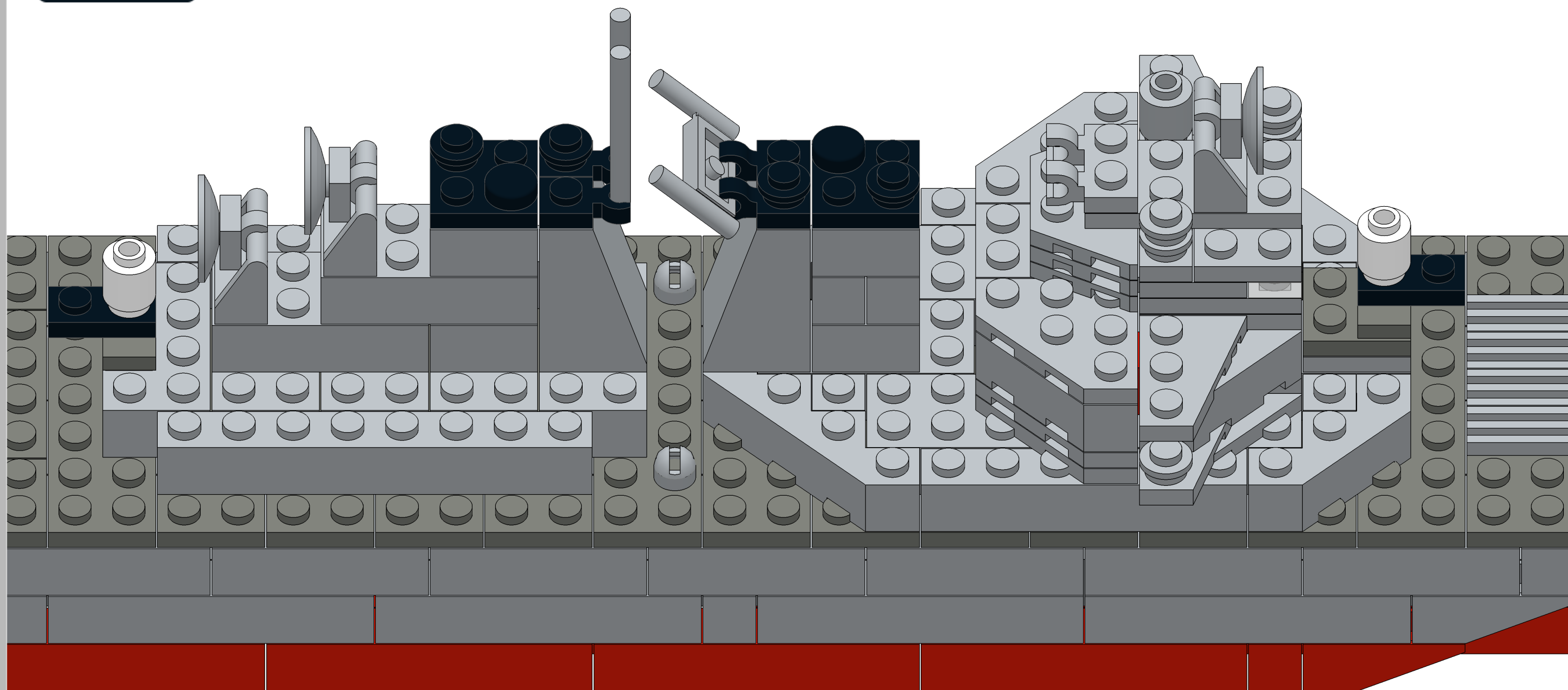


# STEP 40

# USS MITSCHER

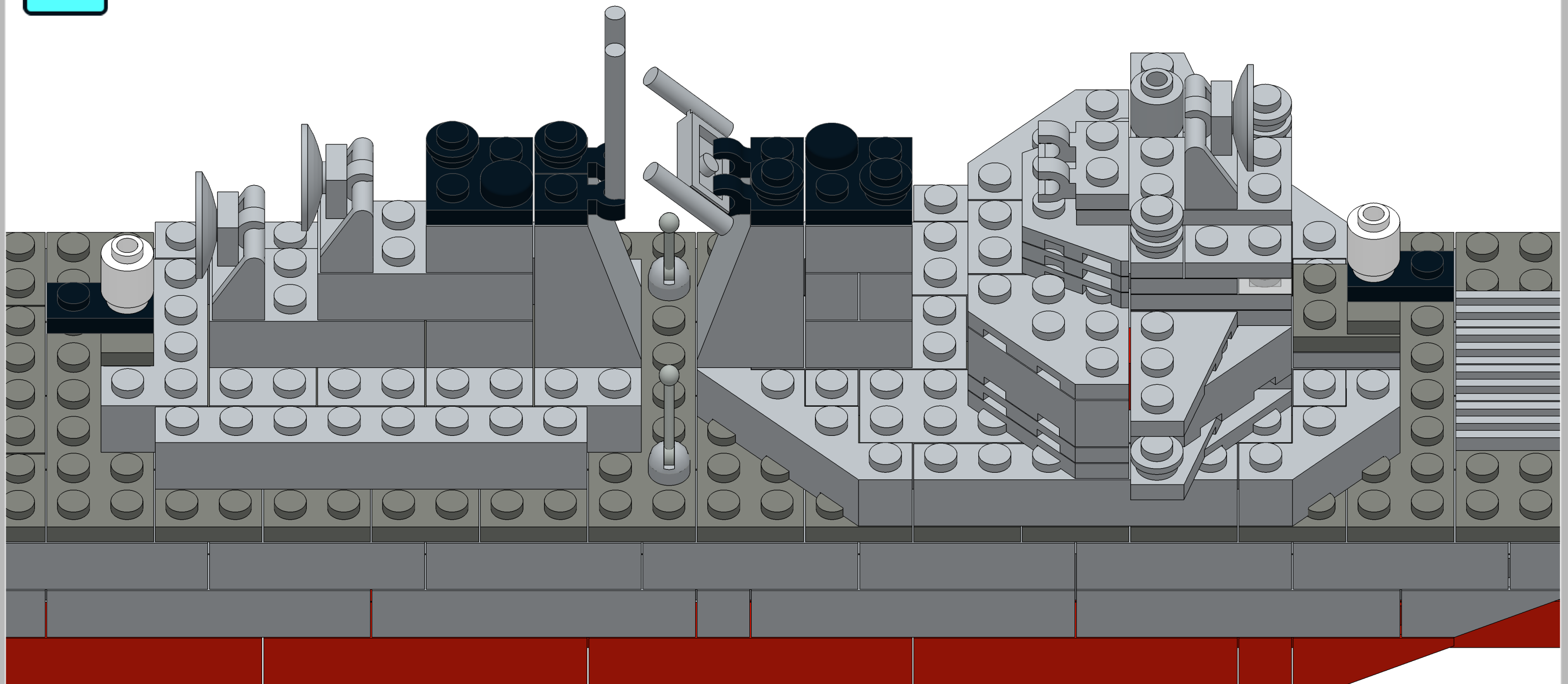
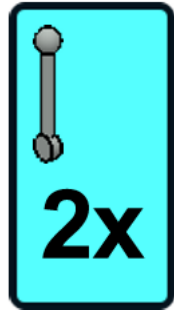


3x 3x



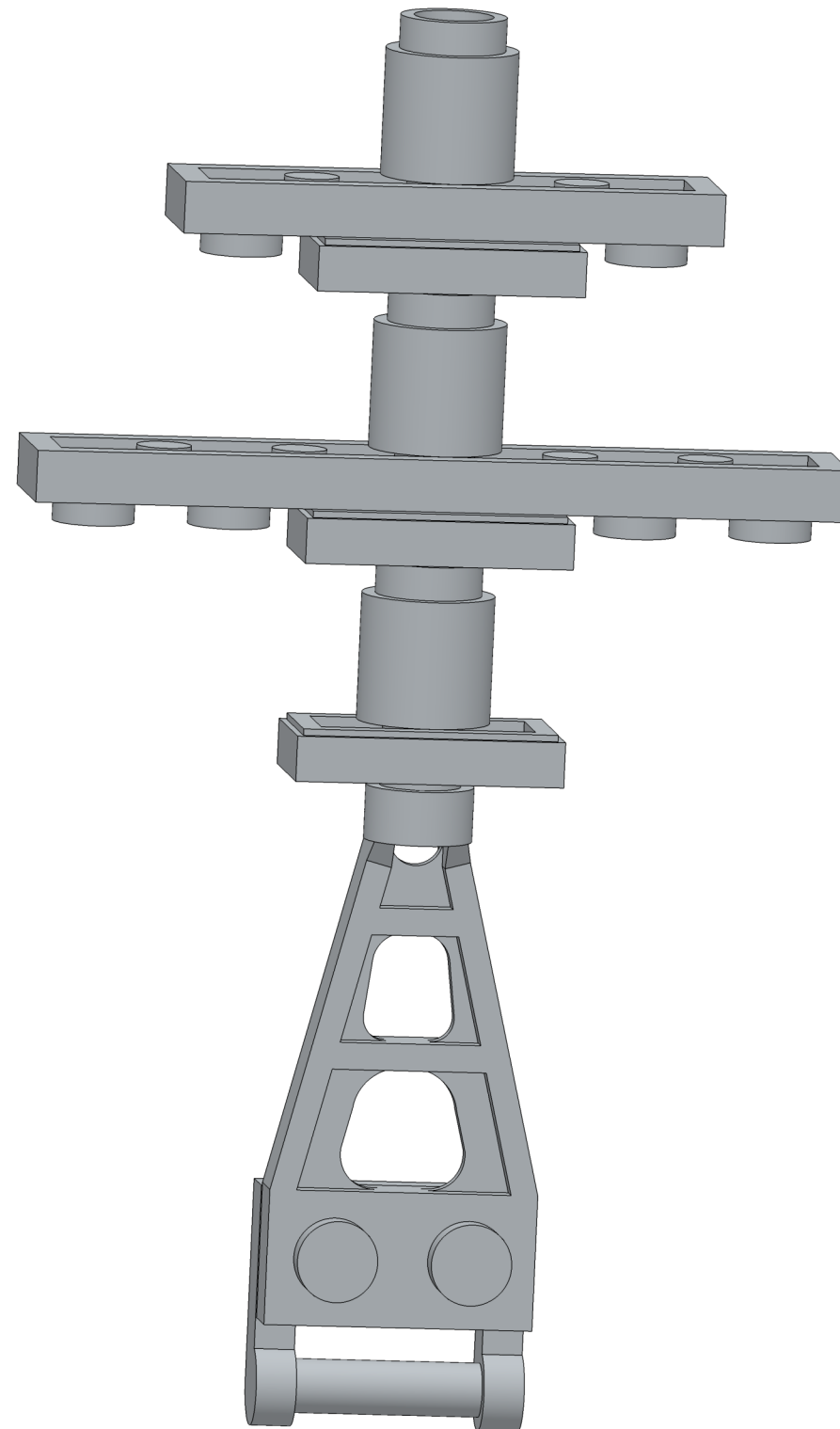
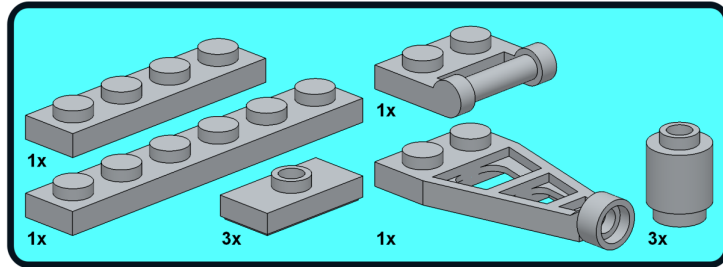
# STEP 41

# USS MITSCHER



# Mast

USS MITSCHER



# STEP 42

# USS MITSCHER

